



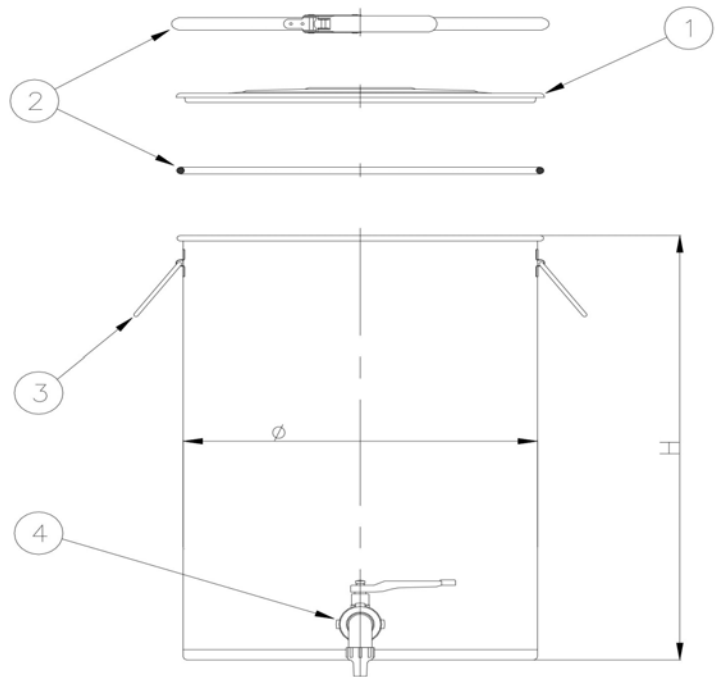
Ghidi

PROGETTIAMO E REALIZZIAMO

Serbatoi in acciaio inox

01. Tank Mod. FPP for Transport

CODE	LITRES	Ø	H
30025	25	365	250
30050	50	365	500
30075	75	365	750
30100	100	410	750
30150	150	510	750
30200	200	510	1000



STANDARD EQUIPMENT



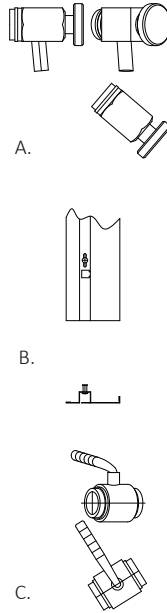
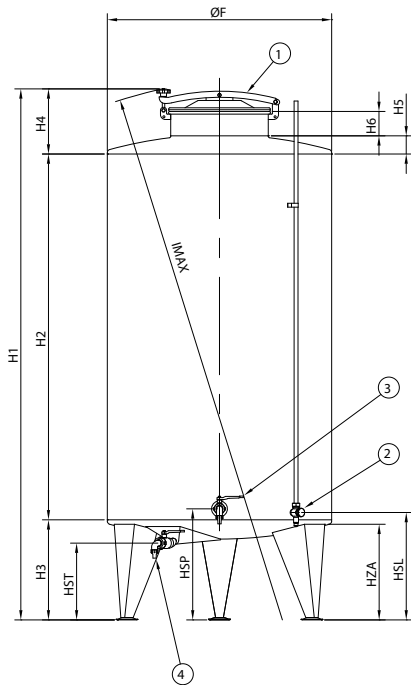
1. Cover
2. Clip & Joint
3. Handles
4. Valve GHIDI 1" Inox

SPECIAL FITTINGS

- A. Support Inox

See special fittings pages

02. TANK MOD. FCGS FOR STORAGE



STANDARD EQUIPMENT

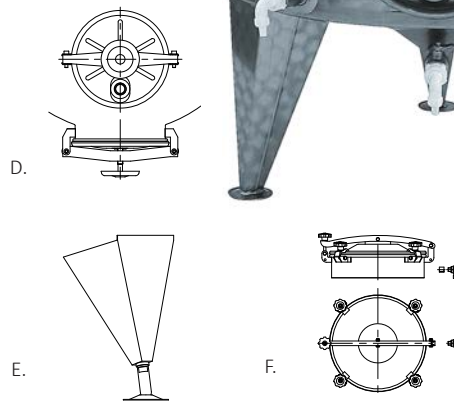


1. Cover with bolt \varnothing 400 mm
2. Level gauge
3. Gate for clear removal with Valve 1" Ghidi inox
4. Gate for complete wasting-pipe with Valve 1" Ghidi inox

SPECIAL FITTINGS

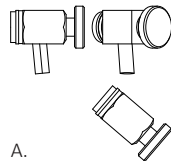
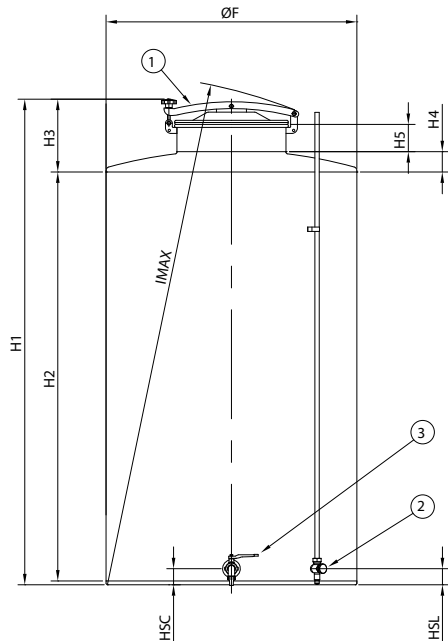
- A. Wine taster *Code 7090*
 - B. Protection Sheet level. Gauge per meter *Code 7092*
 - C. Every kind of valves
 - D. Door circ. \varnothing 300 mm
 - E. H legs mm 600 - H legs mm 500 - Adjustable feet
 - F. Over with 4 holdfast and level gauge with re-entry for nitrogen
- Code AC0021*

See special fittings pages

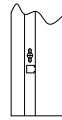


CODE	CODE W/DOOR	LITERS	ØF	H1	H2	H3	H4	HSP	HST	LEGS	HZA	IMAX
60300	*****	300	620	1670	1000	410	260	455	315	3	390	1670
60400	60407	400	720	1675	1000	410	265	455	315	3	390	1675
60500	60507	500	720	1925	1250	410	265	455	315	3	390	1925
60600	60607	600	720	2175	1500	410	265	455	315	3	390	2170
60800	60807	800	920	1930	1250	410	270	455	315	3	390	1990
61000	61007	1000	920	2180	1500	410	270	455	315	3	390	2235
61500	61507	1500	1160	2210	1500	405	305	435	215	3	400	2235
62000	62007	2000	1310	2215	1500	410	305	440	220	3	400	2245

03. TANK MOD. FPS FOR STORAGE



A.



B.



C.



STANDARD EQUIPMENT

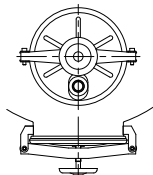


1. Door with bolt 400 mm
2. Level gauge
3. Gate for complete wasting-pipe with Valve 1" Ghidi inox

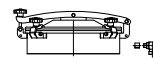
SPECIAL FITTINGS

- A. Wine taster *Code 7090*
- B. Protection Sheet level. Gauge per meter *Code 7092*
- C. Every kind of valves
- D. Door circ. Ø 300 mm
- E. Cover with 4 holdfast and level gauge with re-entry for nitrogen *Code AC0021*
- F. Support Inox

See special fittings pages

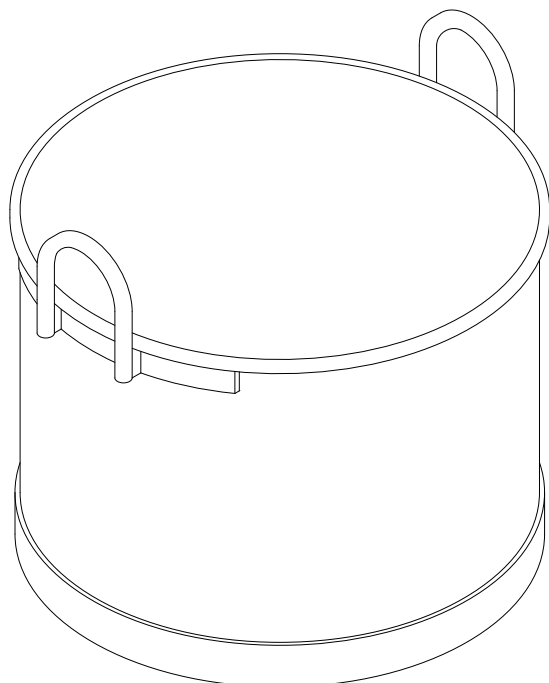


D.

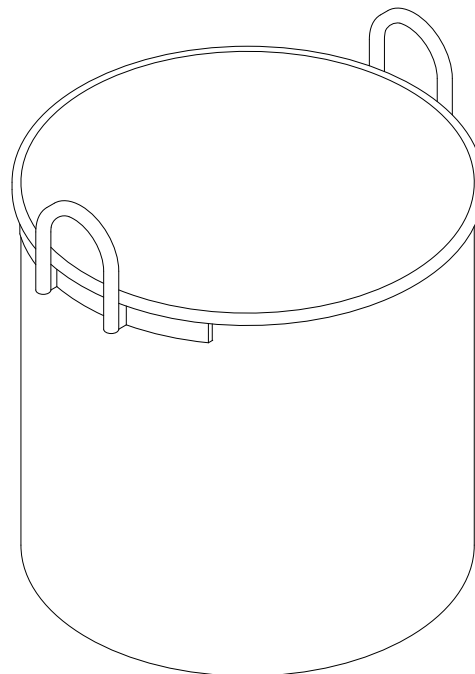


E.

CODE	CODE W/DOOR	LITERS	ØF	H1	H2	H3	H4	H5	H6	HSL	HSC	IMAX
50300	*****	300	620	1275	1000	15	260	65	100	50	60	1345
50400	50407	400	720	1280	1000	15	265	70	100	50	60	1370
50500	50507	500	720	1530	1250	15	265	70	100	50	60	1600
50600	50607	600	720	1780	1500	15	265	70	100	50	60	1835
50800	50807	800	920	1535	1250	15	270	75	100	50	60	1645
51000	51007	1000	920	1785	1500	15	270	75	100	50	60	1875
51500	51507	1500	1160	1825	1500	20	305	115	100	60	60	1960
52000	52007	2000	1310	1825	1500	20	305	115	100	60	60	1990



PENTOLA LITRI 100 RETE



PENTOLA LITRI 100

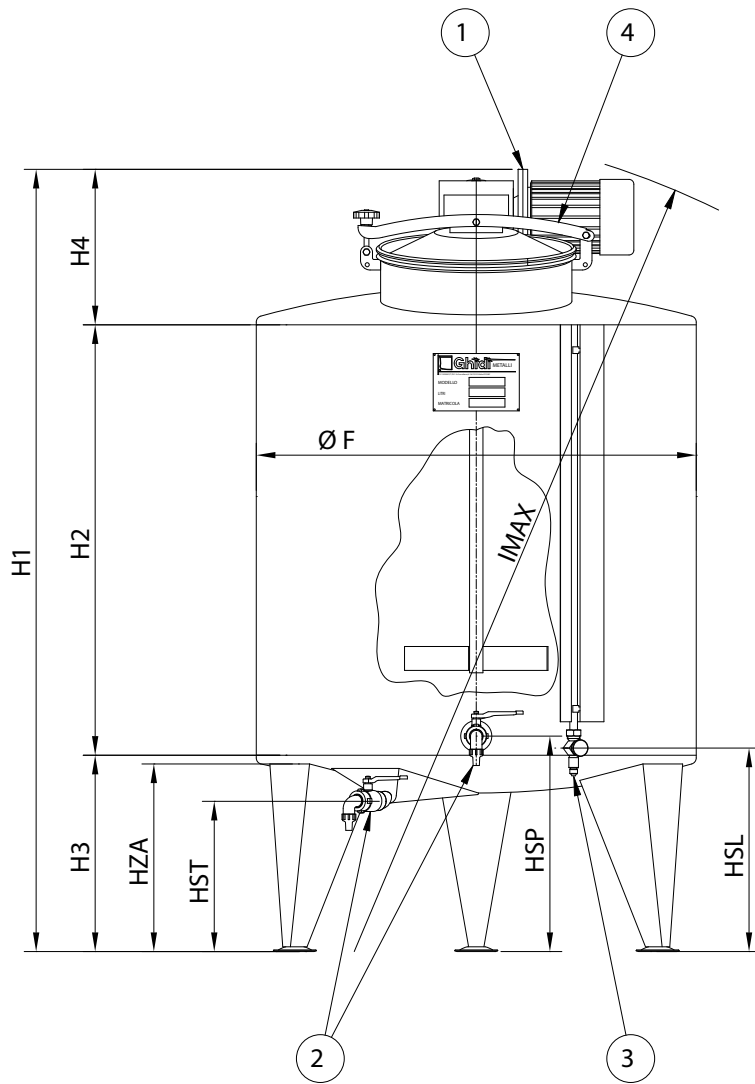
04. Industrial Pot

CODE	L.	Ø	H
1030	30	365	300
1060	66	410	500
1100	100	510	500
1150	150	620	500
1200	200	720	500
1500	500	920	750
2120	120	620	400

SPECIAL FITTINGS

- A. Antidust cover
- B. Pierced basket

[See special fittings pages](#)



05. MIXER Speed Reducer

Misc-Mr

Standard Equipment

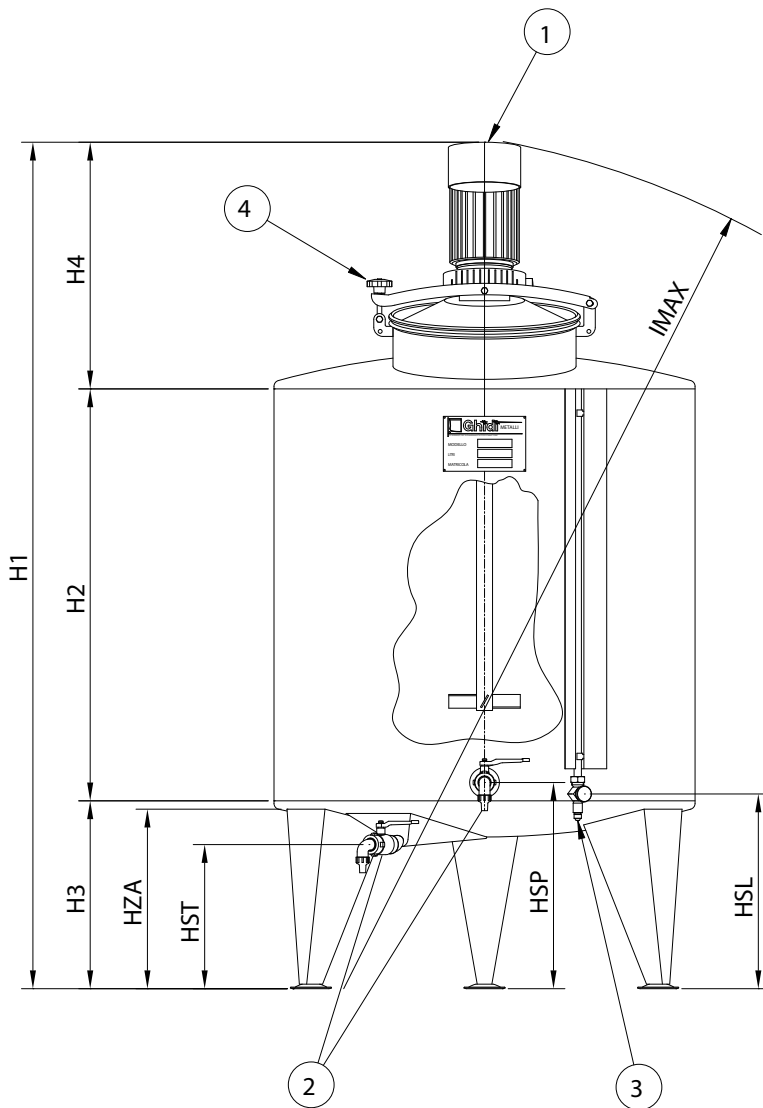


1. Engine with speed reducer hp 1, V 380, riv. 190/1000 per minute
2. Gates 1" for valve 1" Ghidi
3. Level gauge with protection sheet
4. Cover partly welded partly liftable

Special fittings

- A. V 220 power *Code AZ0061*
- B. Glass level rod *Code AZ0062*

CODE	L.	Ø F	H1	H2	H3	H4	HSL	HSP	HST	LEGS	HZA	IMAX
MV600A	620	920	1850	900	410	540	425	450	315	3	390	1910
MV1000A	1060	1160	1930	950	405	575	425	445	245	3	400	1970



06. MIXER Speed variator

Misc-Mv

Standard Equipment



1. Engine with speed reducer hp 1,V 380, riv. 190/1000 per minute
2. Gates 1" for valve 1" Ghidi
3. Level gauge with protection sheet
4. Cover partly welded partly liftable

Special fittings

- A. V 220 power *Code AZ0061*
- B. Glass level rod *Code AZ0062*

CODE	L.	ØF	H1	H2	H3	H4	HSL	HSP	HST	LEGS	HZA	IMAX
MR600A	620	920	1635	900	410	325	425	450	315	3	390	1710
MR1000A	1060	1160	1730	950	405	375	425	445	245	3	400	1775

SPECIAL FITTINGS

6011	SUPPORT INOX FOR LITRES 25/50/75 Ø 365
6012	SUPPORT INOX FOR LITRES 100 Ø 410
6013	SUPPORT INOX FOR LITRES 150/200 Ø 510
6014	SUPPORT INOX FOR LITRES 300 Ø 620
6015	SUPPORT INOX FOR LITRES 400/500/600 Ø 720
6016	SUPPORT INOX FOR LITRES 800/1000 Ø 920
7001	FLOAT OENOLOGICAL OIL SYSTEM FOR LITRES 25/50/75 Ø 365
7002	FLOAT OENOLOGICAL OIL SYSTEM FOR LITRES 100 Ø 410
7003	FLOAT OENOLOGICAL OIL SYSTEM FOR LITRES 150/200 Ø 510
7004	FLOAT OENOLOGICAL OIL SYSTEM FOR LITRES 300 Ø 620
7005	FLOAT OENOLOGICAL OIL SYSTEM FOR LITRES 400/500/600 Ø 720
7006	FLOAT OENOLOGICAL OIL SYSTEM FOR LITRES 800/1000 Ø 920
7007	FLOAT OENOLOGICAL OIL SYSTEM FOR LITRES 1500 Ø 1160
7008	FLOAT OENOLOGICAL OIL SYSTEM FOR LITRES 2000 Ø 1310
7011	ANTIDUST COVER FOR LITRES 25/50/75 Ø 365
7012	ANTIDUST COVER FOR LITRES 100 Ø 410
7013	ANTIDUST COVER FOR LITRES 150/200 Ø 510
7014	ANTIDUST COVER FOR LITRES 300 Ø 620
7015	ANTIDUST COVER FOR LITRES 400/500/600 Ø 720
7016	ANTIDUST COVER FOR LITRES 800/1000 Ø 920
7017	ANTIDUST COVER FOR LITRES 1500 Ø 1160
7018	ANTIDUST COVER FOR LITRES 2000 Ø 1310
7021	FLOAT PNEUMATIC SYSTEM FOR LITRES 100 Ø 410
7022	FLOAT PNEUMATIC SYSTEM FOR LITRES 150/200 Ø 510
7023	FLOAT PNEUMATIC SYSTEM FOR LITRES 300 Ø 620
7024	FLOAT PNEUMATIC SYSTEM FOR LITRES 400/500/600 Ø 720
7025	FLOAT PNEUMATIC SYSTEM FOR LITRES 800/1000 Ø 920
7026	FLOAT PNEUMATIC SYSTEM FOR LITRES 1500 Ø 1160
7027	FLOAT PNEUMATIC SYSTEM FOR LITRES 2000 Ø 1310
7041	KIT PNEUMATIC SYSTEM Ø 410
7042	KIT PNEUMATIC SYSTEM Ø 510
7043	KIT PNEUMATIC SYSTEM Ø 620
7044	KIT PNEUMATIC SYSTEM Ø 720
7045	KIT PNEUMATIC SYSTEM Ø 920
7046	KIT PNEUMATIC SYSTEM Ø 1160
7047	KIT PNEUMATIC SYSTEM Ø 1310
7051	AIR TUBE Ø 410
7052	AIR TUBE Ø 510
7053	AIR TUBE Ø 620
7054	AIR TUBE Ø 720
7055	AIR TUBE Ø 920

7056	AIR TUBE Ø 1160
7057	AIR TUBE Ø 1310
7060	VALVE REGULATING PRESSURE/DEPRESSURE REACH HL 100/HOUR
7088	LADDER SUPPORT
7090	WINE TASTER
7091	LEVEL GAUGE
7092	PROTECTION SHEET LEVEL GAUGE PER METER
7093	FLOAT LEVEL ARM
9030	PIERCED BASKET STAINLESS STEEL FOR POT LITRES 30
9060	PIERCED BASKET STAINLESS STEEL FOR POT LITRES 60
9100	PIERCED BASKET STAINLESS STEEL FOR POT LITRES 100
9150	PIERCED BASKET STAINLESS STEEL FOR POT LITRES 150
9200	PIERCED BASKET STAINLESS STEEL FOR POT LITRES 200
9500	PIERCED BASKET STAINLESS STEEL FOR POT LITRES 500
AC0021	COVER WITH 4 HOLDFAST AND LEVEL GAUGE WITH RE-ENTRY FOR NITROGEN
AF0001	REFRIGERATING BAND Ø 720 MM. H. 300 MM. FOR LITRES 300
AF0002	REFRIGERATING BAND Ø 920 MM. H. 300 MM. FOR LITRES 1000
AF0004	REFRIGERATING BAND Ø 920 MM. H. 620 MM. FOR LITRES 1000
AF0005	REFRIGERATING BAND Ø 920 MM. H. 620 MM. FOR LITRES 1000
AF0007	REFRIGERATING BAND Ø 1160 MM. H. 620 MM. FOR LITRES 1500
AF0009	REFRIGERATING BAND Ø 1310 MM. H. 620 MM. FOR LITRES 2000
AP0001	OVAL DOOR 190x265 MM.
AP0002	ROUND DOOR Ø 300 MM. MOULDED
AP0003	ROUND DOOR Ø 400 MM.
AP0007	OVAL DOOR 300X4345 MM. FOR DIAM.920/1160/1310
AR0001	ADJUSTABLE FEETS FOR TANKS UNTIL LITRES 2000
AR0011	LEGS H. 500 MM. FOR TANKS UNTIL LITRES 2000
AR0012	LEGS H. 600 MM. FOR TANKS UNTIL LITRES 2000
AS0001	INCREASE JUST FOR DOME AISI 316
AS0002	INCREASE JUST FOR FLOAT AISI 316
AS0003	COMPLETE EXECUTION IN AISI 316
AV0010	VALVE WAY IN INTERNAL THREAD 1"1/4 WAY OUT THREAD 40 GAROLLA
AV0011	VALVE WAY IN INTERNAL THREAD 1"1/2 WAY OUT THREAD 50 GAROLLA
AV0012	VALVE WAY IN INTERNAL THREAD 2" WAY OUT THREAD 60 GAROLLA
AV0020	VALVE WAY IN INTERNAL THREAD 1"1/4 WAY OUT THREAD 35 OENOLOGICAL
AV0021	VALVE WAY IN INTERNAL THREAD 1"1/4 WAY OUT THREAD 40 OENOLOGICAL

SPECIAL FITTINGS

AV0022 VALVE WAY IN INTERNAL THREAD 1"1/2 WAY OUT THREAD 50 OENOLOGICAL

AV0030 BUTTERFLY VALVE WAY IN INTERNAL THREAD 1"1/2 WAY OUT THREAD DIN 11851/405 DN 40

AV0031 BUTTERFLY VALVE WAY IN INTERNAL THREAD 2" WAY OUT THREAD DIN 11851/405 DN 50

AV0032 BUTTERFLY VALVE WAY IN INTERNAL THREAD 2" WAY OUT THREAD DIN 11851/405 DN 60

AV0040 VALVE WAY IN FLANGE 100x100 WAY OUT 40 GAROLLA

AV0041 VALVE WAY IN FLANGE 100x100 WAY OUT 50 GAROLLA

AV0042 VALVE WAY IN FLANGE 120x120 WAY OUT 60 GAROLLA

AV0060 BUTTERFLY VALVE WAY IN FLANGE 100x100 WAY OUT THREAD DIN 11851/405 DN 40 FEMALE

AV0061 BUTTERFLY VALVE WAY IN FLANGE 100x100 WAY OUT THREAD DIN 11851/405 DN 50 FEMALE

AV0062 BUTTERFLY VALVE WAY IN FLANGE 120x120 WAY OUT THREAD DIN 11851/405 DN 60 FEMALE

AV0081 HONEY VALVE 1"1/2 WITH INTERNAL WELDED THREAD CONNECTOR

AV0082 HONEY VALVE 2" WITH INTERNAL WELDED THREAD CONNECTOR

AV0090 VALVE WAY IN INTERNAL THREAD 1"1/4 WAY OUT 40 MACON

AV0091 VALVE WAY IN INTERNAL THREAD 1"1/2 WAY OUT 50 MACON

AZ0001 SEAL FOR MOULDED VALVE GHIDI 1"

AZ0002 MOPLEN BEAK FOR MOULDED VALVE GHIDI 1"

AZ0003 MOPLEN PIPE CONNECTION FOR MOULDED VALVE GHIDI 1"

AZ0004 MOPLEN CAP OENOLOGICAL THREAD FOR VALVE GHIDI 1"

AZ0005 STAINLESS STEEL CAP FOR HOLE 1"

AZ0006 ADAPTATION 1\2 FOR HOLE 1"

AZ0010 CONNECTOR 40 GAROLLA THREAD FOR VALVE GHIDI 1"

AZ0011 CONNECTOR 40 MACON THREAD FOR VALVE GHIDI 1"

AZ0012 CONNECTOR AUSTRIA THREAD FOR VALVE GHIDI 1"

AZ0013 CONNECTOR TRICLAMP THREAD FOR VALVE GHIDI 1"

AZ0020 PUMP FOR KIT PNEUMATIC SYSTEM

AZ0021 PRESSURE-GAUGE FOR PUMP KIT PNEUMATIC SYSTEM

AZ0022 FULL SET O'RINGS AND SEALS

AZ0041 THERMOMETER

AZ0051 PACKING FOR OVAL DOOR 190x265 MM.

AZ0052 PACKING FOR ROUND DOOR Ø 300 MM.

AZ0053 PACKING FOR ROUND DOOR Ø 400 MM.

AZ0057 PACKING FOR COVER WITH BOLT Ø 300 MM.

AZ0058 PACKING FOR COVER WITH BOLT Ø 400 MM.

AZ0059 PACKING HERMETIC SEALMOD. FPP TRANSPORT

AZ0060 CLAMP HERMETIC SEALMOD. FPP TRANSPORT

AZ0061 V 220 POWER

AZ0062 GLASS LEVEL ROD PER METER

AZ0081 PACKING FOR OVAL DOOR 300X435

AC0011 COVER WITH BOLT Ø 300 MM.

AC0012 COVER WITH BOLT Ø 400 MM.

AC0021 COVER WITH 4 HOLDFAST AND LEVEL GAUGE WITH RE-ENTRY FOR NITROGEN

AF0007 REFRIGERATING BAND Ø 1160 MM. H. 620 MM. FOR LITRES 1500

AF0009 REFRIGERATING BAND Ø 1310 MM. H. 620 MM. FOR LITRES 2000

AF0011 REFRIGERATING BAND Ø 1600 MM. H. 620 MM. FOR LITRES 3000/4000/5000/6000

AF0013 REFRIGERATING BAND Ø 1800 MM. H. 620 MM. FOR LITRES 5000/6500/8000

AF0015 REFRIGERATING BAND Ø 2100 MM. H. 620 MM. FOR LITRES 8000/10000

AF0017 REFRIGERATING BAND Ø 2400 MM. H. 620 MM. FOR LITRES 13500

AG0008 FLOAT PNEUMATIC SYSTEM FOR LITRES 1500 Ø 1160

AG0009 FLOAT PNEUMATIC SYSTEM FOR LITRES 2000 Ø 1310

AG0010 FLOAT PNEUMATIC SYSTEM FOR LITRES 3000/4000/5000/6000 Ø 1600

AG0011 FLOAT PNEUMATIC SYSTEM FOR LITRES 5000/6500/8000 Ø 1800

AG0012 FLOAT PNEUMATIC SYSTEM FOR LITRES 8000/10000 Ø 2100

AG0013 FLOAT PNEUMATIC SYSTEM FOR LITRES 13500 Ø 2400

AI0008 AIR TUBE Ø 1160

AI0009 AIR TUBE Ø 1310

AI0010 AIR TUBE Ø 1600

AI0011 AIR TUBE Ø 1800

AI0012 AIR TUBE Ø 2100

AI0013 AIR TUBE Ø 2400

AK0008 KIT PNEUMATIC SYSTEM Ø 1160

AK0009 KIT PNEUMATIC SYSTEM Ø 1310

AK0010 KIT PNEUMATIC SYSTEM Ø 1600

AK0011 KIT PNEUMATIC SYSTEM Ø 1800

AK0012 KIT PNEUMATIC SYSTEM Ø 2100

AK0013 KIT PNEUMATIC SYSTEM Ø 2400

AM0001 ELECTRIC BOILER Ø 720 MM. FOR BOTTON Ø 1160 MM.

AM0002 ELECTRIC BOILER Ø 920 MM. FOR BOTTON Ø 1310 MM.

AM0003 ELECTRIC BOILER Ø 1160 MM. FOR BOTTON Ø 1600 MM.

AM0004 ELECTRIC BOILER Ø 1310 MM. FOR BOTTON Ø 1800 MM.

AM0005 ELECTRIC BOILER Ø 1600 MM. FOR BOTTON Ø 2100 MM.

AM0006 ELECTRIC BOILER Ø 1800 MM. FOR BOTTON Ø 2400 MM.

SPECIAL FITTINGS

AP0001	OVAL DOOR 190x265 MM.
AP0002	ROUND DOOR Ø 300 MM.
AP0003	ROUND DOOR Ø 400 MM.
AP0004	OVAL DOOR 304x400 MM.
AP0005	RECTANGULAR DOOR 420x310 MM.
AP0006	RECTANGULAR DOOR 530x400 MM.
AP0007	OVAL DOOR MOULDED 300x435 MM.
AS0001	INCREASE JUST FOR DOME AISI 316
AS0002	INCREASE JUST FOR FLOAT AISI 316
AS0003	COMPLETE EXECUTION IN AISI 316
AV0010	VALVE WAY IN INTERNAL THREAD 1"1/4 WAY OUT THREAD 40 GAROLLA
AV0011	VALVE WAY IN INTERNAL THREAD 1"1/2 WAY OUT THREAD 50 GAROLLA
AV0012	VALVE WAY IN INTERNAL THREAD 2" WAY OUT THREAD 60 GAROLLA
AV0020	VALVE WAY IN INTERNAL THREAD 1"1/4 WAY OUT THREAD 35 OENOLOGICAL
AV0021	VALVE WAY IN INTERNAL THREAD 1"1/4 WAY OUT THREAD 40 OENOLOGICAL
AV0022	VALVE WAY IN INTERNAL THREAD 1"1/2 WAY OUT THREAD 50 OENOLOGICAL
AV0030	BUTTERFLY VALVE WAY IN INTERNAL THREAD 1"1/2 WAY OUT THREAD DIN 11851/405 DN 40
AV0031	BUTTERFLY VALVE WAY IN INTERNAL THREAD 2" WAY OUT THREAD DIN 11851/405 DN 50
AV0032	BUTTERFLY VALVE WAY IN INTERNAL THREAD 2" WAY OUT THREAD DIN 11851/405 DN 60
AV0040	VALVE WAY IN FLANGE 100X100 WAY OUT 40 GAROLLA
AV0041	VALVE WAY IN FLANGE 100X100 WAY OUT 50 GAROLLA
AV0042	VALVE WAY IN FLANGE 120X120 WAY OUT 60 GAROLLA
AV0050	VALVE WAY IN FLANGE 100X100 WAY OUT 40 MACON
AV0051	VALVE WAY IN FLANGE 100X100 WAY OUT 50 MACON
AV0052	VALVE WAY IN FLANGE 120X120 WAY OUT 70 MACON