



Ghidi

WE DESIGN AND PRODUCE

Stainless steel tanks

Stainless steel tanks for **oil** AISI 304

Small Capacities

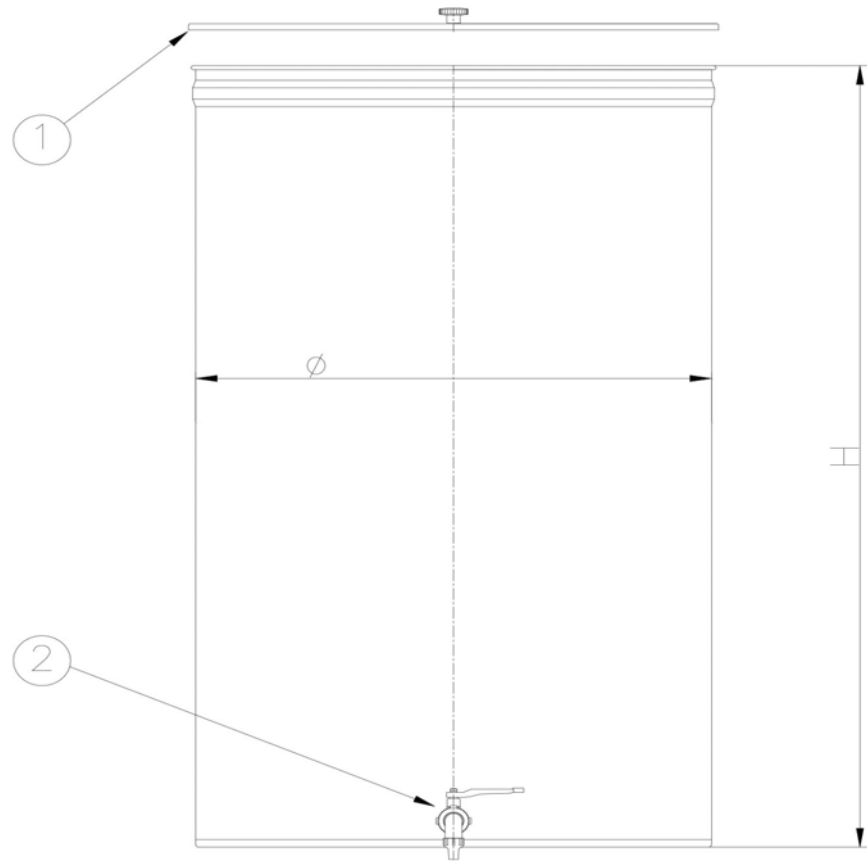
01	Mod. FPP for oil	3
02.	Mod. FPP for transport	4
03	Mod. FCG for oil	5
04	Mod. FCGS for storage	6
05	Mod. FPS for storage	7

Big Capacities

01	Mod. FCGS for storage	8
02	Mod. FPS for storage	9



01. Tank Mod. FPP



SPECIAL FITTINGS

A. Support Inox

See special fittings pages

COD.	L.	∅	H
10025	25*	365	250
10050	50*	365	500
10075	75*	365	750
10100	100*	410	750
10150	150*	510	750
10200	200*	510	1000
10300	300*	620	1000
10400	400	720	1000
10500	500	720	1250
10600	600	720	1500
10800	800	920	1250
11000	1000	920	1500
11500	1500	1160	1500
12000	2000	1310	1500

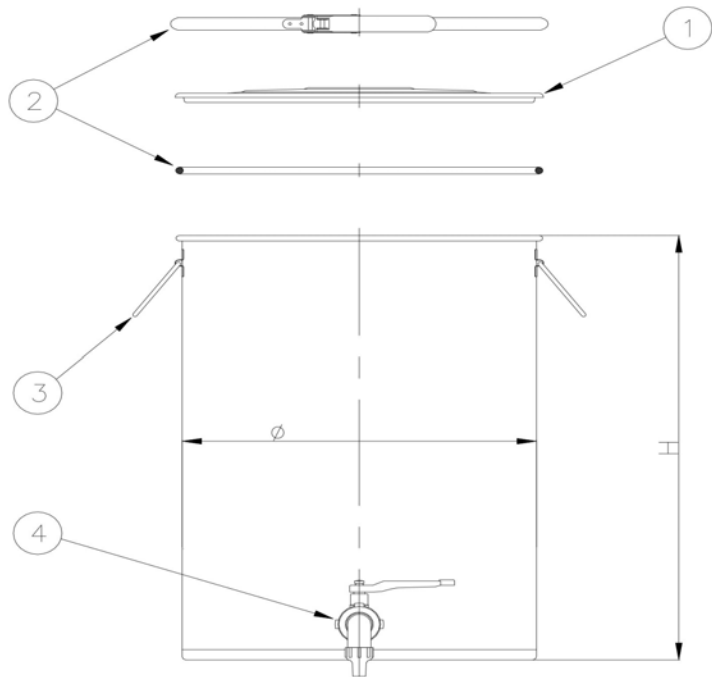
STANDARD EQUIPMENT



1. Antidust Cover
2. Valve 1" Ghidi Inox
* Stainless steel 1/2" tap

02. Tank Mod. FPP for Transport

CODE	LITRES	Ø	H
30025	25	365	250
30050	50	365	500
30075	75	365	750
30100	100	410	750
30150	150	510	750
30200	200	510	1000



STANDARD EQUIPMENT



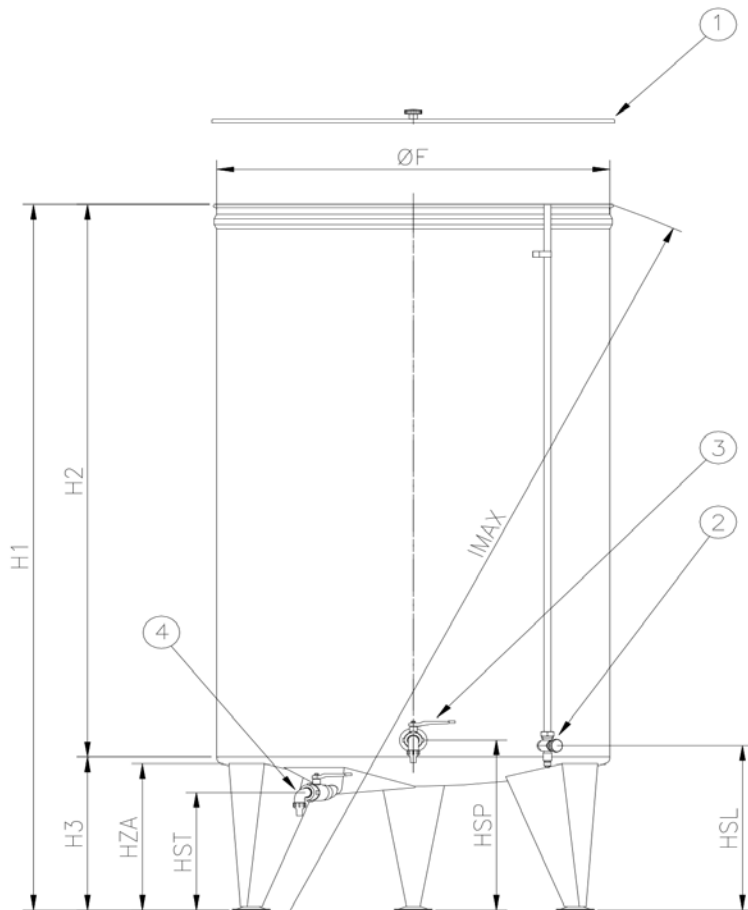
1. Cover
2. Clip & Joint
3. Handles
4. Stainless steel 1/2" tap

SPECIAL FITTINGS

- A. Support Inox

See special fittings pages

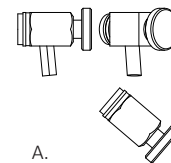
03. TANK MOD. FCG



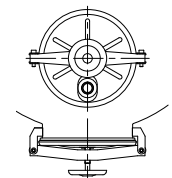
SPECIAL FITTINGS

- A. Wine taster *Cod. 7090*
- B. Protection Sheet level. Gauge per meter *Cod. 7092*
- C. Every kind of valves
- D. Door Ø 300 mm
- E. H legs mm 600 - H legs mm 500 - Adjustable feet

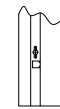
See special fittings pages



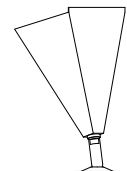
A.



D.



B.



E.



C.

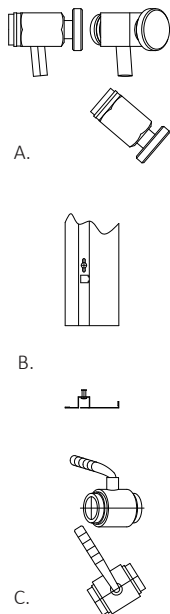
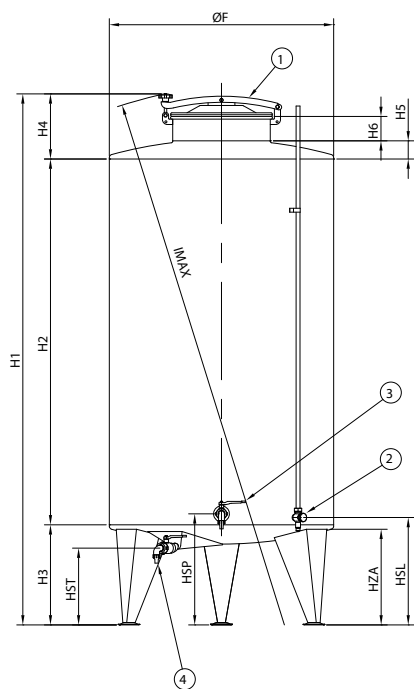
STANDARD EQUIPMENT



1. Antidust cover
2. Level gauge
3. Gate for clear removal 1" with Ghidi 1" in acciaio inox
4. Gate to complete whasing-pipe whit valve Ghidi 1" inox

COD. S/PORT.	COD. C/PORT.	LITERS	ØF	H1	H2	H3	HSL	HSP	HST	LEGS	HZA	IMAX
70301	*****	300	620	1410	1000	410	440	455	315	3	390	1500
70401	70402	400	720	1410	1000	410	440	455	315	3	390	1525
70501	70502	500	720	1660	1250	410	440	455	315	3	390	1755
70601	70602	600	720	1910	1500	410	440	455	315	3	390	1995
70801	70802	800	920	1660	1250	410	440	455	315	3	390	1810
71001	71002	1000	920	1910	1500	410	440	455	315	3	390	2045
71501	71502	1500	1160	1905	1500	405	435	435	215	3	400	2050
72001	72002	2000	1310	1910	1500	410	440	440	220	3	400	2045

04. TANK MOD. FCGS FOR STORAGE



STANDARD EQUIPMENT

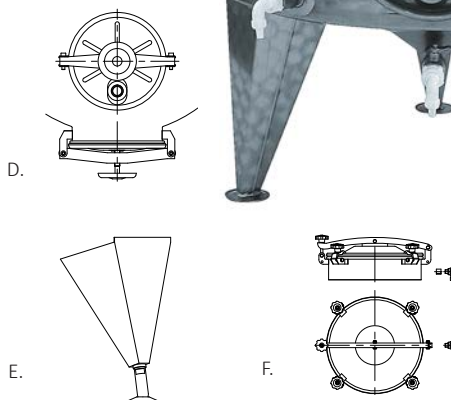


1. Cover with bolt \varnothing 400 mm
2. Level gauge
3. Gate for clear removal with Valve 1" Ghidi inox
4. Gate for complete wasting-pipe with Valve 1" Ghidi inox

SPECIAL FITTINGS

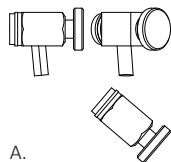
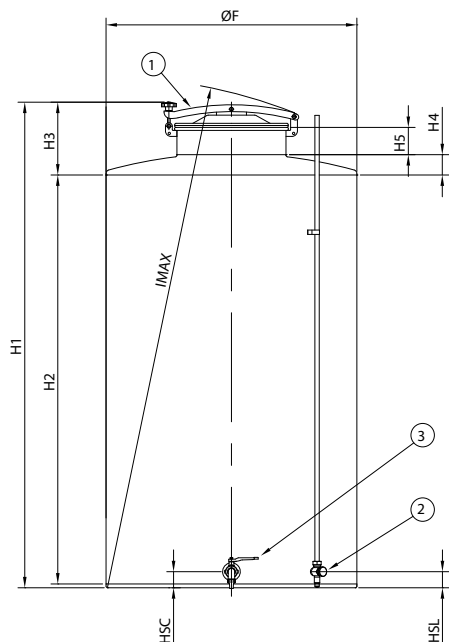
- A. Wine taster *Code 7090*
 - B. Protection Sheet level. Gauge per meter *Code 7092*
 - C. Every kind of valves
 - D. Door circ. \varnothing 300 mm
 - E. H legs mm 600 - H legs mm 500 - Adjustable feet
 - F. Over with 4 holdfast and level gauge with re-entry for nitrogen
- Code AC0021*

See special fittings pages

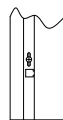


CODE	CODE W/DOOR	LITERS	ØF	H1	H2	H3	H4	HSP	HST	LEGS	HZA	IMAX
60300	*****	300	620	1670	1000	410	260	455	315	3	390	1670
60400	60407	400	720	1675	1000	410	265	455	315	3	390	1675
60500	60507	500	720	1925	1250	410	265	455	315	3	390	1925
60600	60607	600	720	2175	1500	410	265	455	315	3	390	2170
60800	60807	800	920	1930	1250	410	270	455	315	3	390	1990
61000	61007	1000	920	2180	1500	410	270	455	315	3	390	2235
61500	61507	1500	1160	2210	1500	405	305	435	215	3	400	2235
62000	62007	2000	1310	2215	1500	410	305	440	220	3	400	2245

05. TANK MOD. FPS FOR STORAGE



A.



B.



C.



STANDARD EQUIPMENT

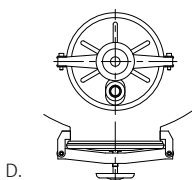


1. Door with bolt 400 mm
2. Level gauge
3. Gate for complete wasting-pipe with Valve 1" Ghidi inox

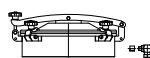
SPECIAL FITTINGS

- A. Wine taster *Code 7090*
- B. Protection Sheet level. Gauge per meter *Code 7092*
- C. Every kind of valves
- D. Door circ. Ø 300 mm
- E. Cover with 4 holdfast and level gauge with re-entry for nitrogen *Code AC0021*
- F. Support Inox

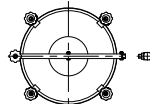
See special fittings pages



D.

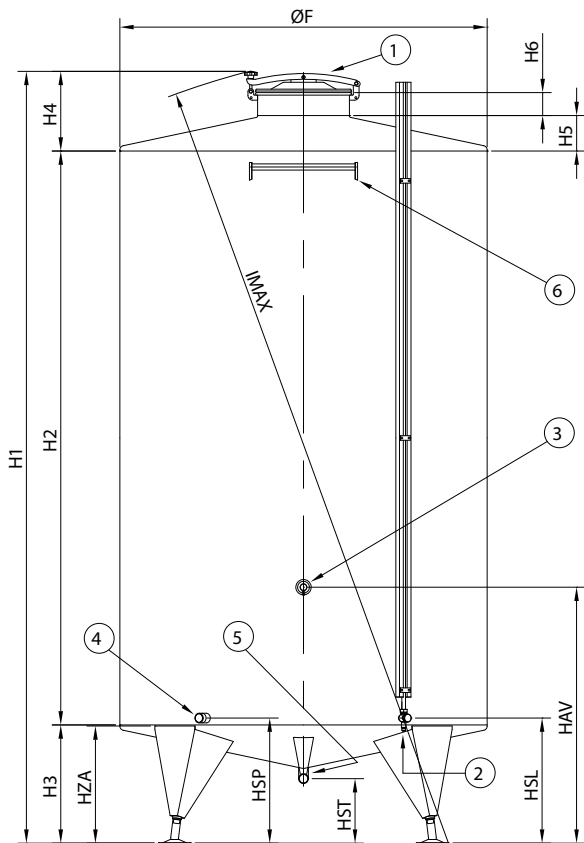


E.



CODE	CODE W/DOOR	LITERS	ØF	H1	H2	H3	H4	H5	H6	HSL	HSC	IMAX
50300	*****	300	620	1275	1000	15	260	65	100	50	60	1345
50400	50407	400	720	1280	1000	15	265	70	100	50	60	1370
50500	50507	500	720	1530	1250	15	265	70	100	50	60	1600
50600	50607	600	720	1780	1500	15	265	70	100	50	60	1835
50800	50807	800	920	1535	1250	15	270	75	100	50	60	1645
51000	51007	1000	920	1785	1500	15	270	75	100	50	60	1875
51500	51507	1500	1160	1825	1500	20	305	115	100	60	60	1960
52000	52007	2000	1310	1825	1500	20	305	115	100	60	60	1990

01. TANK MOD. FCGS FOR STORAGE



STANDARD EQUIPMENT

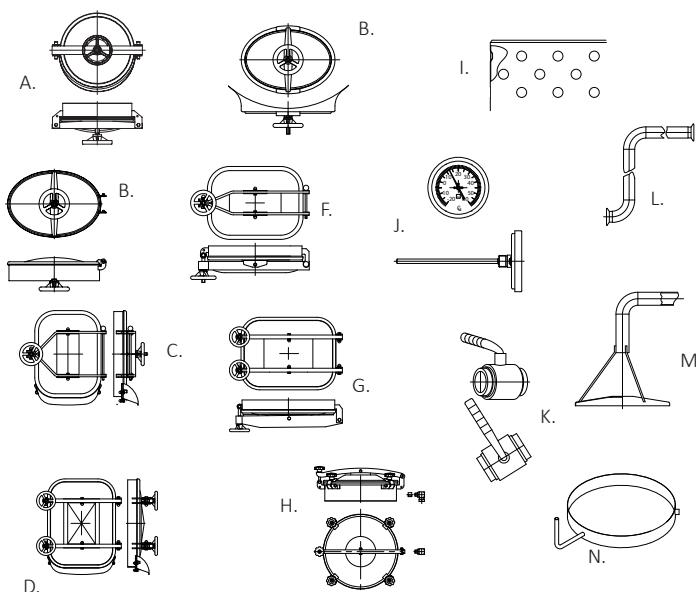


1. Cover with bolt $\text{Ø} 400$ mm
2. Level gauge with protection sheet
3. Wine taster
4. Gate for clear removal (to specify Ø)
5. Gate for complete wasting-pipe
6. Ladder support

SPECIAL FITTINGS

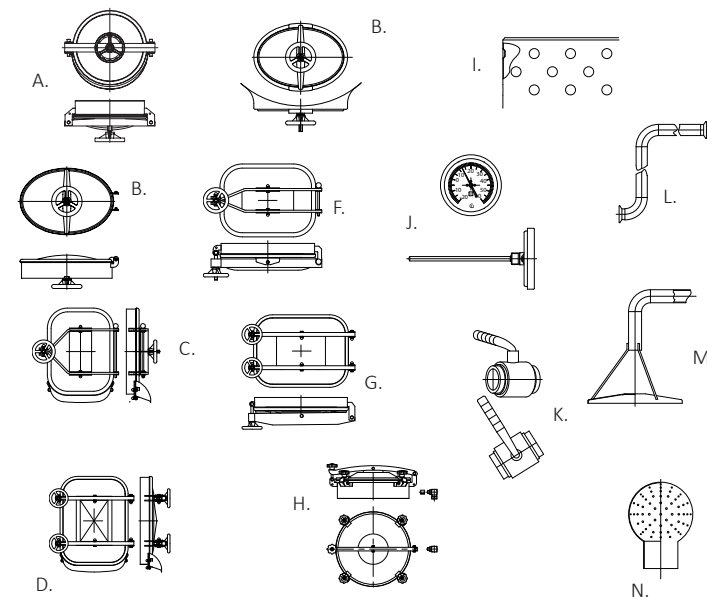
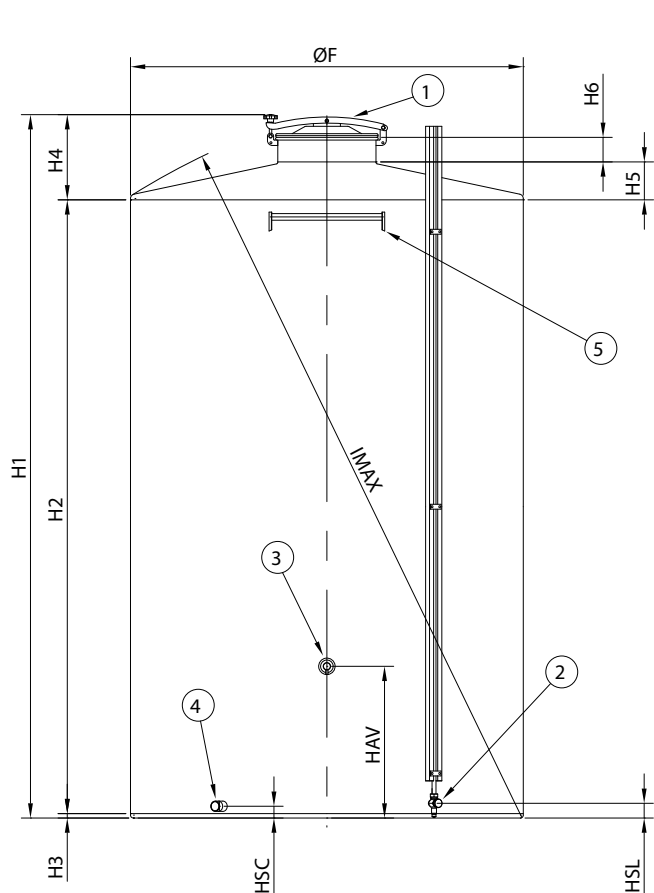
- A. Round door $\text{Ø} 400$ mm Code AP0003
- B. Oval door 304x400 mm Code AP0004
- C. Rectangular door 420x310 mm Code AP0005
- D. Rectangular door 530x400 mm Code AP0006
- E. Moulded oval door 300x435 only for diameter 1310 Code AP0007
- F. Rectangular horizontal door. 310x420 Code AP0008
- G. Rectangular horizontal door 400x530 Code AP0009
- H. Cover with 4 holdfast and level gauge with re-entry for nitrogen Code AC0021
- I. Sprinkler for pipe filling up must $\text{Ø} 40$ Code AZ1004 - $\text{Ø} 50$ Code AZ1005 - $\text{Ø} 60$ Code AZ1006
- J. Moulded refrigerating band
- K. Thermometer Code AZ0041
- L. Every kind of valves
- M. Pipe filling up must $\text{Ø} 40$ Code AZ1001 - $\text{Ø} 50$ Code AZ1002 - $\text{Ø} 60$ Code AZ1003
- N. Electric boiler

See special fittings pages



CODE	LITERS	ØF	H1	H2	H3	H4	H5	H6	HSL	HAV	HSP	HST	LEGS	HZA	IMAX
FCGS2500A	2500	1310	2695	1875	515	305	115	100	615	1215	545	325	3 reg.	510	2735
FCGS3000A	3000	1310	3070	2250	515	305	115	100	615	1215	545	325	3 reg.	510	3110
FCGS3000B	3000	1600	2360	1500	515	345	155	100	615	1215	545	280	4 reg.	510	2520
FCGS4000A	4000	1600	2860	2000	515	345	155	100	615	1215	545	280	4 reg.	510	2995
FCGS5000A	5000	1600	3360	2500	515	345	155	100	615	1215	545	280	4 reg.	510	3475
FCGS5000B	5000	1800	2860	2000	515	345	155	100	615	1215	545	280	4 reg.	510	3005
FCGS6000A	6000	1600	3860	3000	515	345	155	100	615	1215	545	280	4 reg.	510	3960
FCGS6500A	6500	1800	3360	2500	515	345	155	100	615	1215	545	280	4 reg.	510	3485
FCGS8000A	8000	1800	3860	3000	515	345	155	100	615	1215	545	280	4 reg.	510	3970
FCGS8000B	8000	2100	3395	2500	530	365	165	100	630	1230	560	275	4 reg.	525	3550
FCGS10000A	10000	2100	3895	3000	530	365	165	100	630	1230	560	275	4 reg.	525	4030
FCGS13500A	13500	2400	3920	3000	530	390	195	100	630	1230	560	255	5 reg.	525	4185

02. TANK MOD. FPS FOR STORAGE



SPECIAL FITTINGS

- A. Round door $\varnothing 400$ mm *Code AP0003*
- B. Oval door 304x400 mm *Code AP0004*
- C. Rectangular door 420x310 mm *Code AP0005*
- D. Rectangular door 530x400 mm *Code AP0006*
- E. Moulded oval door 300x435 only for diameter 1310 *Code AP0007*
- F. Rectangular horizontal door. 310x420 *Code AP0008*
- G. Rectangular horizontal door 400x530 *Code AP0009*
- H. Cover with 4 holdfast and level gauge with re-entry for nitrogen *Code AC0021*
- I. Sprinkler for pipe filling up must $\varnothing 40$ *Code AZ1004* - $\varnothing 50$ *Code AZ1005* - $\varnothing 60$ *Code AZ1006*
- J. Moulded refrigerating band
- K. Thermometer *Code AZ0041*
- L. Every kind of valves
- M. Pipe filling up must $\varnothing 40$ *Code AZ1001* - $\varnothing 50$ *Code AZ1002* - $\varnothing 60$ *Code AZ1003*
- N. Washing ball *Code AZ0071*

See special fittings pages

STANDARD EQUIPMENT



1. Cover with bolt $\varnothing 400$ mm
2. Level gauge with protection sheet
3. Wine taster
4. Gate for clear removal (to specify \varnothing)
5. Ladder support (to specify \varnothing)

CODE	LITERS	$\varnothing F$	H1	H2	H3	H4	H5	H6	HSL	HAV	HSC	IMAX
FPS2500A	2500	1310	2200	1875	20	305	115	100	100	720	50	2335
FPS3000A	3000	1310	2575	2250	20	305	115	100	100	720	50	2685
FPS3000B	3000	1600	1865	1500	20	345	155	100	100	720	50	2210
FPS4000A	4000	1600	2365	2000	20	345	155	100	100	720	50	2580
FPS5000A	5000	1600	2865	2500	20	345	155	100	100	720	50	3005
FPS5000B	5000	1800	2365	2000	20	345	155	100	100	720	50	2715
FPS6000A	6000	1600	3365	3000	20	345	155	100	100	720	50	3480
FPS6500A	6500	1800	2865	2500	20	345	155	100	100	720	50	3105
FPS8000A	8000	1800	3365	3000	20	345	155	100	100	720	50	3525
FPS8000B	8000	2100	2885	2500	20	365	165	100	100	720	50	3165
FPS10000A	10000	2100	3385	3000	20	365	165	100	100	720	50	3580
FPS13500A	13500	2400	3410	3000	20	390	195	100	100	720	50	3860