



Ghidi

WE DESIGN AND PRODUCE

Stainless steel tanks

Stainless steel tanks for **wine** AISI 304

SMALL capacity

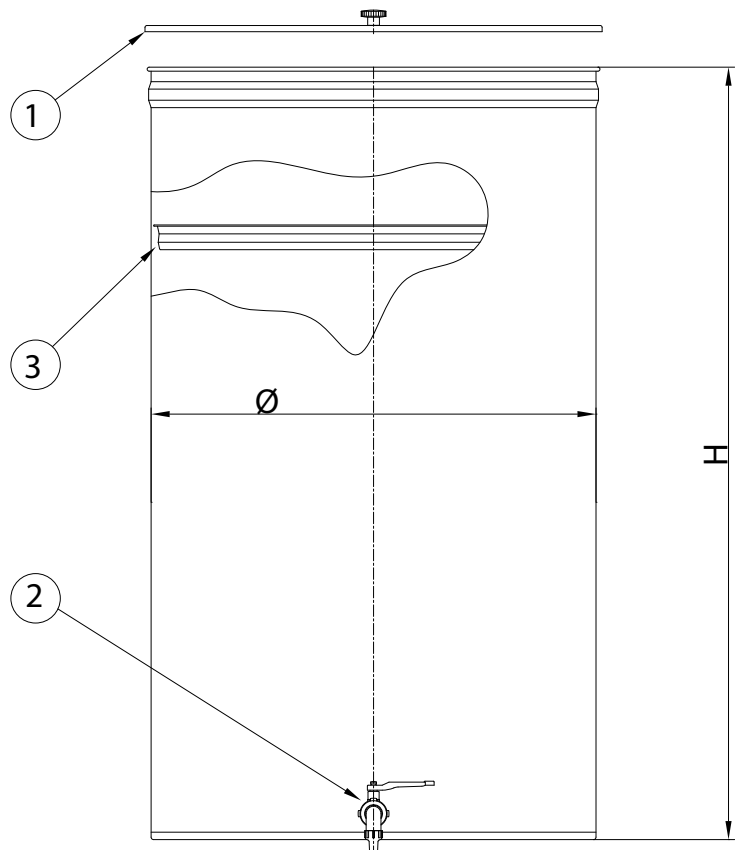
01.	Tank Mod. FPP for wine Oenological System Stainless Steel AISI 304	3
02.	Tank Mod. FPP for wine Pneumatic System Stainless Steel	4
03.	Tank Mod. Cask	5
04.	Tank Mod. FCG Oenological System	6
05.	Tank Mod. FCG pneumatic system	7
06.	Tank Mod. FCGS for storage	8
07.	Tank Mod. FPS for storage	9
08.	Tank Mod. Cistern	10
09.	Tank Mod. Danubio for storage Stainless	11

BIG capacity

01.	Tank Mod. FCGS for storage	12
02.	Tank Mod. FPS for storage	13
03.	Insulated tank	14
04.	Tank Mod. FIGS FERMENTINO	15
05.	Tank Mod. FIG FERMENTINO Pneumatic System	16
06.	Tank Mod. FCG Pneumatic System	17



01. TANK MOD. FPP FOR WINE OENOLOGICAL SYSTEM



CODE	CODE W/DOOR	LITERS	Ø	H
20050	*****	50*	365	500
20075	*****	75*	365	750
20100	*****	100*	410	750
20150	*****	150*	510	750
20200	*****	200*	510	1000
20300	*****	300*	620	1000
20400	20407	400	720	1000
20500	20507	500	720	1250
20600	20607	600	720	1500
20800	20807	800	920	1250
21000	21007	1000	920	1500
21500	21507	1500	1160	1500
22000	22007	2000	1310	1500

STANDARD EQUIPMENT

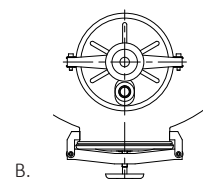


1. Antidust Cover
2. Valve 1" Ghidi inox
* Stainless steel 1/2" tap
3. Float Oenological oil system

SPECIAL FITTINGS

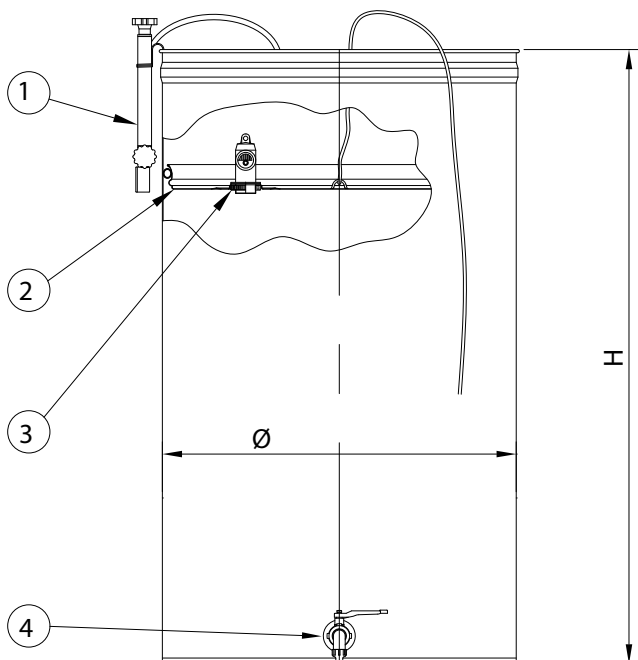
- A. Support Inox
- B. Door circ. Ø 300 mm

See special fittings pages



02. TANK MOD. FPP FOR WINE PNEUMATIC SYSTEM

CODE	CODE W/DOOR	LITERS	Ø	H
*****	*****	*****	*****	*****
*****	*****	*****	*****	*****
*****	*****	*****	*****	*****
40100	*****	100*	410	750
40150	*****	150*	510	750
40200	*****	200*	510	1000
40300	*****	300*	620	1000
40400	40407	400	720	1000
40500	40507	500	720	1250
40600	40607	600	720	1500
40800	40807	800	920	1250
41000	41007	1000	920	1500
41500	41507	1500	1160	1500
42000	42007	2000	1310	1500



SPECIAL FITTINGS

A. Support Inox

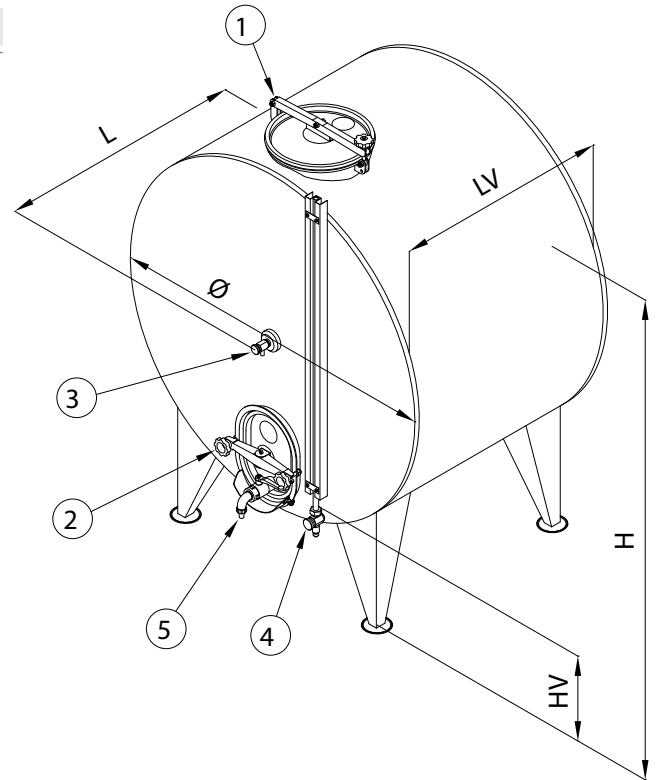
STANDARD EQUIPMENT



1. Pneumatic air KIT
 2. Float pneumatic system
 3. Valve regulating pressure/depressure
 4. Valve Ghidi 1" inox
- * Stainless steel 1/2" tap

03. TANK MOD. CASK

CODE	LITERS	Ø	H	L	LV	HV
90330	330	920	1320	625	500	350
90500	500	920	1320	875	750	350
90670	670	920	1320	1125	1000	350

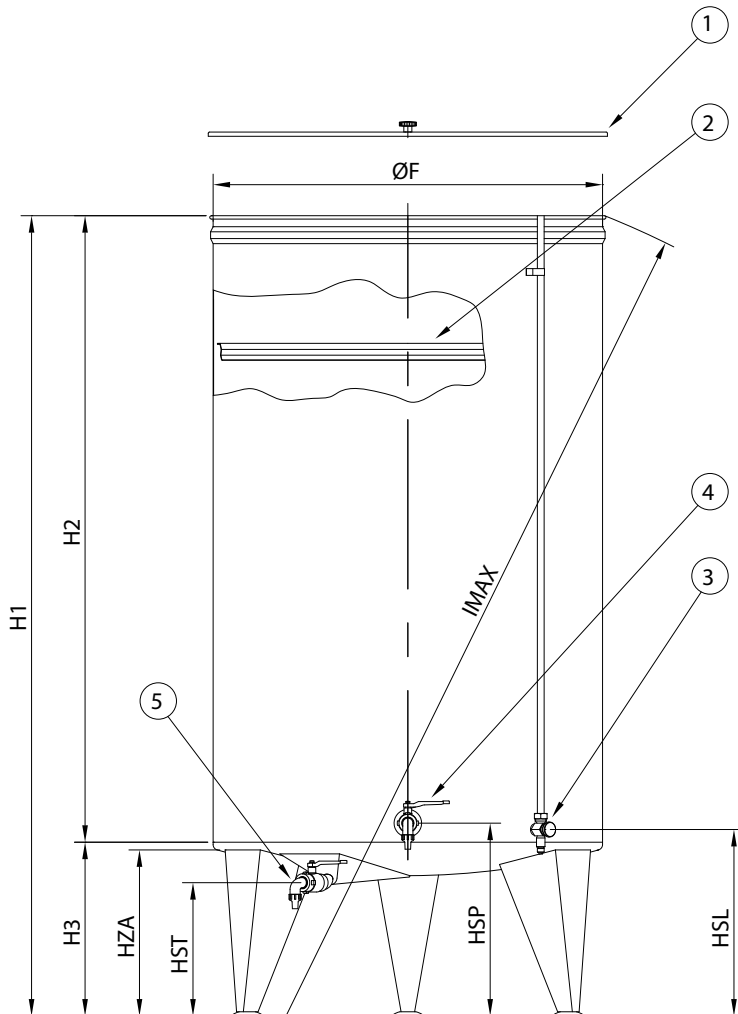


STANDARD EQUIPMENT



1. Upper door Ø 300 mm with valve pressure/depressure
2. Frontal door 190 x 265 mm
3. Wine taster
4. Level gauge with protection sheet
5. Valve 1" Ghidi inox

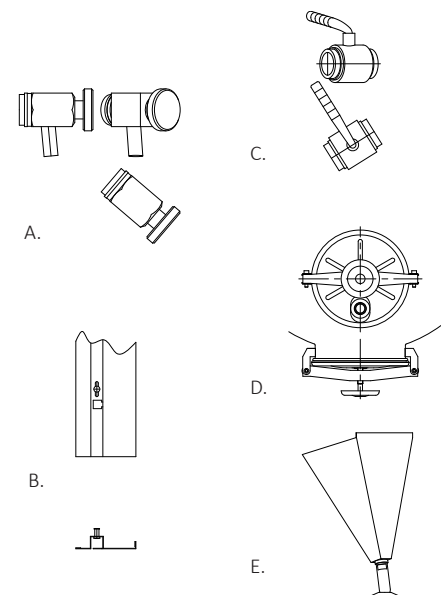
04. TANK MOD. FCG OENOLOGICAL SYSTEM



SPECIAL FITTINGS

- A. Wine taster *Code 7090*
- B. Protection Sheet level. Gauge per meter *Code 7092*
- C. Every kind of valves
- D. Door circ. Ø 300 mm
- E. H legs mm 600 - H legs mm 500 - Adjustable feet

See special fittings pages

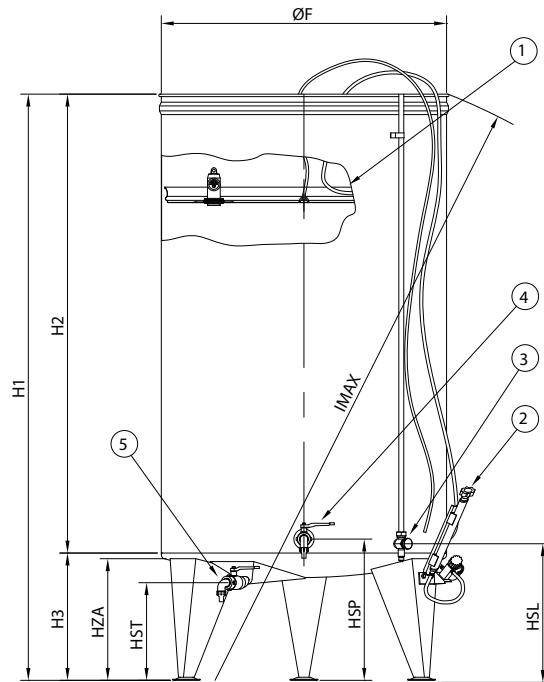


STANDARD EQUIPMENT



1. Antidust cover
2. Float oenological oil system
3. Level gauge
4. Gate for clear removal 1 with Valve Ghidi 1" inox
5. Gate to complete whasing-pipe whit valve Ghidi 1" inox

CODE	CODE W/DOOR	LITERS	ØF	H1	H2	H3	HSL	HSP	HST	LEGS	HZA	IMAX
70300	*****	300	620	1410	1000	410	440	455	315	3	390	1500
70400	70407	400	720	1410	1000	410	440	455	315	3	390	1525
70500	70507	500	720	1660	1250	410	440	455	315	3	390	1755
70600	70607	600	720	1910	1500	410	440	455	315	3	390	1995
70800	70807	800	920	1660	1250	410	440	455	315	3	390	1810
71000	71007	1000	920	1910	1500	410	440	455	315	3	390	2045
71500	71507	1500	1160	1905	1500	405	435	435	215	3	400	2050
72000	72007	2000	1310	1910	1500	410	440	440	220	3	400	2045



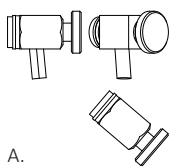
05. TANK MOD. FCG PNEUMATIC SYSTEM

STANDARD EQUIPMENT

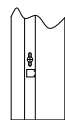


1. Float pneumatic system
2. Kit pneumatic system
3. Level gauge
4. Gate for clear removal with Valve 1" Ghidi inox
5. Gate for complete wasting-pipe with Valve 1" Ghidi inox

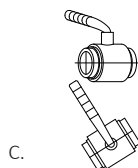
CODE	CODE W/DOOR	LITERS	ØF	H1	H2	H3	HSL	HSP	HST	LEGS	HZA	IMAX
80300	*****	300	620	1410	1000	410	440	455	315	3	390	1500
80400	80407	400	720	1410	1000	410	440	455	315	3	390	1525
80500	80507	500	720	1660	1250	410	440	455	315	3	390	1755
80600	80607	600	720	1910	1500	410	440	455	315	3	390	1995
80800	80807	800	920	1660	1250	410	440	455	315	3	390	1810
81000	81007	1000	920	1910	1500	410	440	455	315	3	390	2045
81500	81507	1500	1160	2160	1500	405	435	435	215	3	400	2115
82000	82007	2000	1310	2165	1500	410	440	440	220	3	400	2170



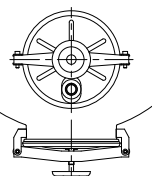
A.



B.



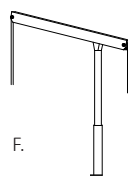
C.



D.



E.



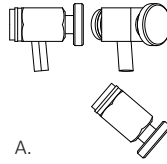
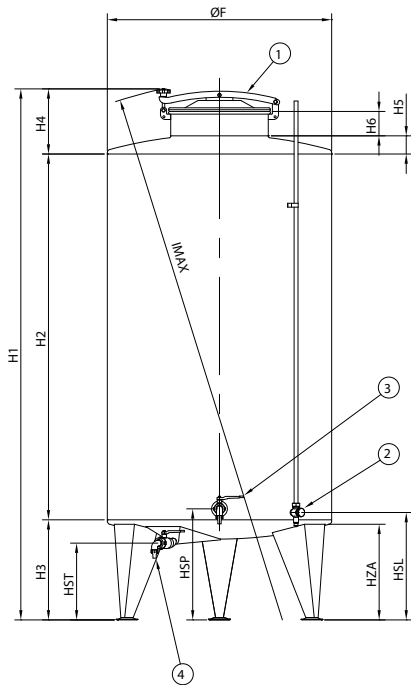
F.

SPECIAL FITTINGS

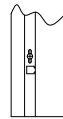
- A. Wine taster
- B. Protection Sheet level. Gauge per meter *Code 7092*
- C. Every kind of valves
- D. Door Ø 300 mm
- E. H legs mm 600 - H legs mm 500 - Adjustable feet
- F. Float level arm *Code 7093*

See special fittings pages

06. TANK MOD. FCGS FOR STORAGE



A.



B.



C.



STANDARD EQUIPMENT

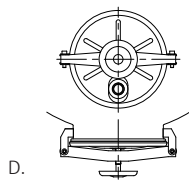


1. Cover with bolt \varnothing 400 mm
2. Level gauge
3. Gate for clear removal with Valve 1" Ghidi inox
4. Gate for complete wasting-pipe with Valve 1" Ghidi inox

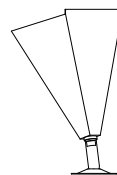
SPECIAL FITTINGS

- A. Wine taster *Code 7090*
 - B. Protection Sheet level. Gauge per meter *Code 7092*
 - C. Every kind of valves
 - D. Door circ. \varnothing 300 mm
 - E. H legs mm 600 - H legs mm 500 - Adjustable feet
 - F. Over with 4 holdfast and level gauge with re-entry for nitrogen
- Code AC0021*

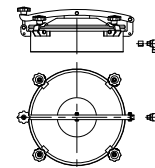
See special fittings pages



D.



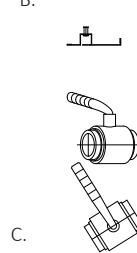
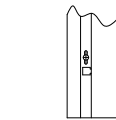
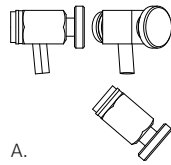
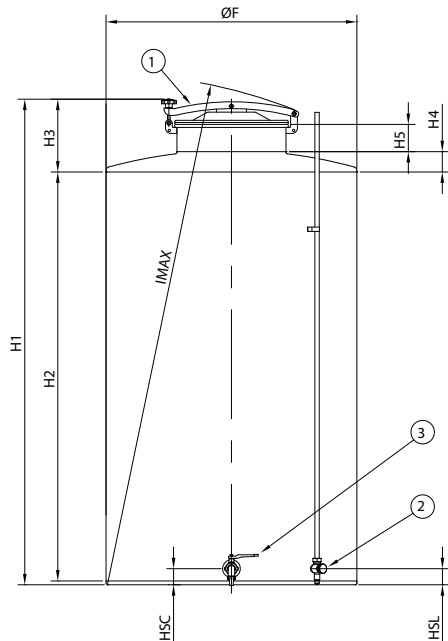
E.



F.

CODE	CODE W/DOOR	LITERS	ØF	H1	H2	H3	H4	HSP	HST	LEGS	HZA	IMAX
60300	*****	300	620	1670	1000	410	260	455	315	3	390	1670
60400	60407	400	720	1675	1000	410	265	455	315	3	390	1675
60500	60507	500	720	1925	1250	410	265	455	315	3	390	1925
60600	60607	600	720	2175	1500	410	265	455	315	3	390	2170
60800	60807	800	920	1930	1250	410	270	455	315	3	390	1990
61000	61007	1000	920	2180	1500	410	270	455	315	3	390	2235
61500	61507	1500	1160	2210	1500	405	305	435	215	3	400	2235
62000	62007	2000	1310	2215	1500	410	305	440	220	3	400	2245

07. TANK MOD. FPS FOR STORAGE



STANDARD EQUIPMENT

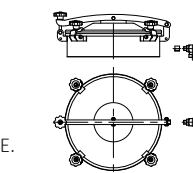
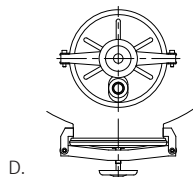


1. Door with bolt 400 mm
2. Level gauge
3. Gate for complete wasting-pipe with Valve 1" Ghidi inox

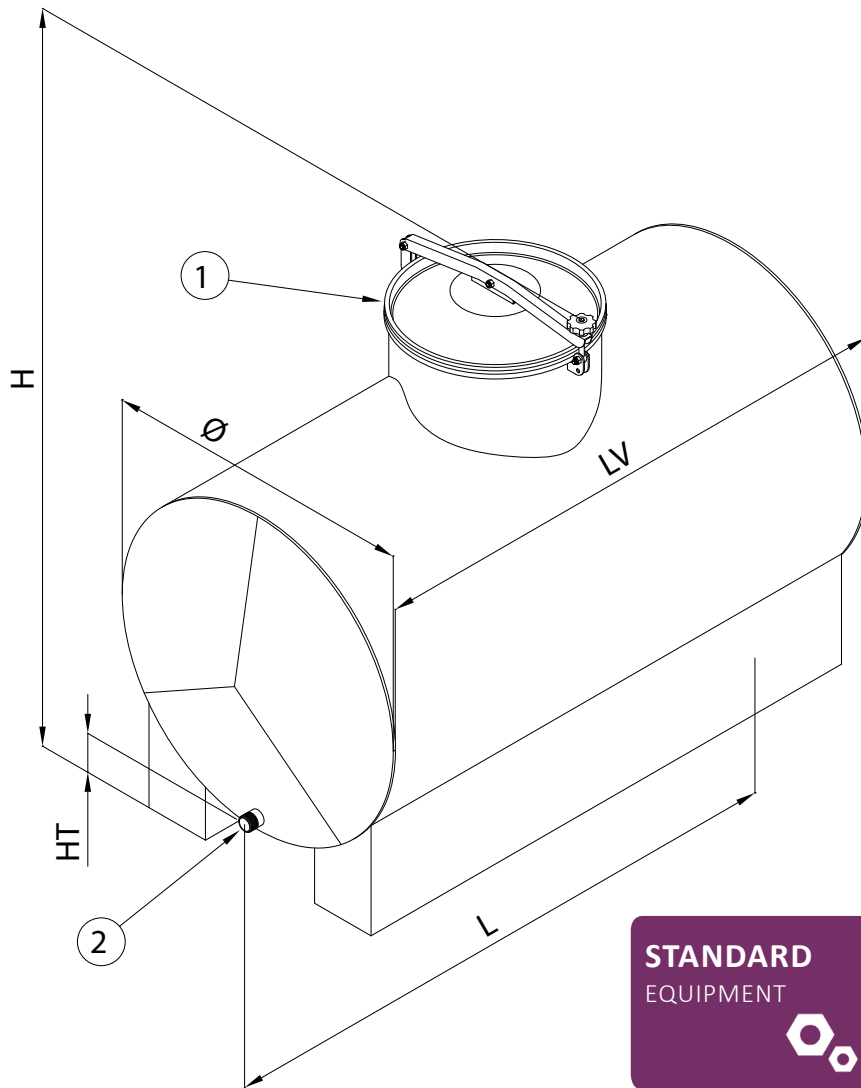
SPECIAL FITTINGS

- A. Wine taster *Code 7090*
- B. Protection Sheet level. Gauge per meter *Code 7092*
- C. Every kind of valves
- D. Door circ. Ø 300 mm
- E. Cover with 4 holdfast and level gauge with re-entry for nitrogen *Code AC0021*
- F. Support Inox

See special fittings pages



CODE	CODE W/DOOR	LITERS	ØF	H1	H2	H3	H4	H5	H6	HSL	HSC	IMAX
50300	*****	300	620	1275	1000	15	260	65	100	50	60	1345
50400	50407	400	720	1280	1000	15	265	70	100	50	60	1370
50500	50507	500	720	1530	1250	15	265	70	100	50	60	1600
50600	50607	600	720	1780	1500	15	265	70	100	50	60	1835
50800	50807	800	920	1535	1250	15	270	75	100	50	60	1645
51000	51007	1000	920	1785	1500	15	270	75	100	50	60	1875
51500	51507	1500	1160	1825	1500	20	305	115	100	60	60	1960
52000	52007	2000	1310	1825	1500	20	305	115	100	60	60	1990



STANDARD
EQUIPMENT



1. Cover with ball \varnothing 400 mm
2. Gate for complete wasting-pipt (to specify \varnothing)

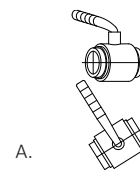
08. TANK MOD. CISTERN

CODE	LITERS	\varnothing	H	HT	L	LV
150300	300	620	975	100	1135	1000
150400	400	720	1075	100	1135	1000
150500	500	720	1075	100	1385	1250
150600	600	720	1075	100	1635	1500
150800	800	920	1275	100	1385	1250
151000	1000	920	1275	100	1635	1500
151500	1500	1160	1515	100	1635	1500
152000	2000	1310	1550	100	1635	1500

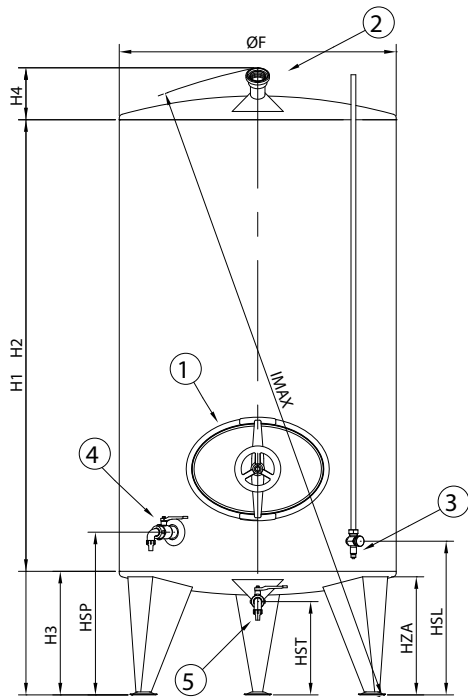
SPECIAL FITTINGS

A. Every kind of valves

See special fittings pages



09. TANK MOD. DANUBIO



STANDARD EQUIPMENT

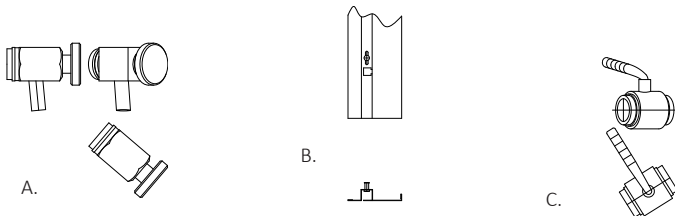


1. Oval door 300X435
2. Thread connector female DIN 11851/405 DN50
3. Level gauge
4. Gate for clear removal with Valve 1" Ghidi inox
5. Gate for complete wasting-pipe with Valve 1" Ghidi inox

SPECIAL FITTINGS

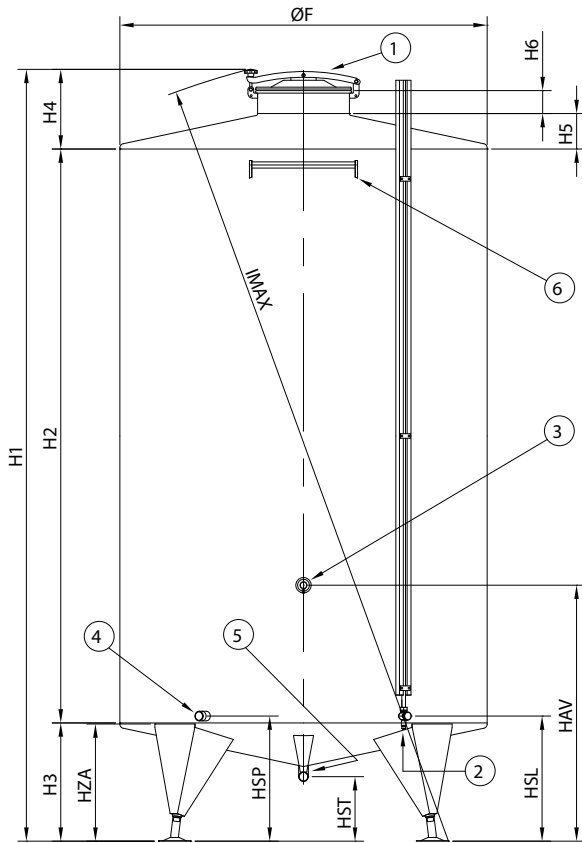
- A. Wine taster *Code 7090*
- B. Protection Sheet level. Gauge per meter *Code 7092*
- C. Every kind of valves

See special fittings pages



CODE	LITERS	ØF	H1	H2	H3	H4	HSL	HSP	HST	HZA	HP	IMAX
60801	800	920	1835	1250	410	175	510	540	315	390	170	1840
61001	1000	920	2085	1500	410	175	510	540	315	390	170	2090
61501	1500	1160	2085	1500	405	175	510	540	315	400	170	2100
62001	2000	1310	2085	1500	405	175	510	540	315	400	170	2110
62501	2500	1310	2565	1875	515	175	510	540	415	510	170	2635
63001	3000	1310	2940	2250	515	175	510	540	415	510	170	3010

01. TANK MOD. FCGS FOR STORAGE



STANDARD EQUIPMENT

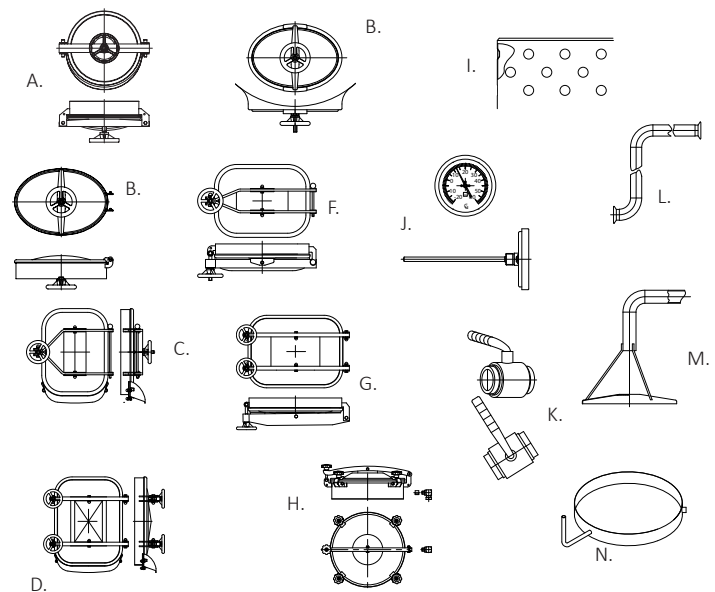


1. Cover with bolt \varnothing 400 mm
2. Level gauge with protection sheet
3. Wine taster
4. Gate for clear removal (to specify \varnothing)
5. Gate for complete wasting-pipe
6. Ladder support

SPECIAL FITTINGS

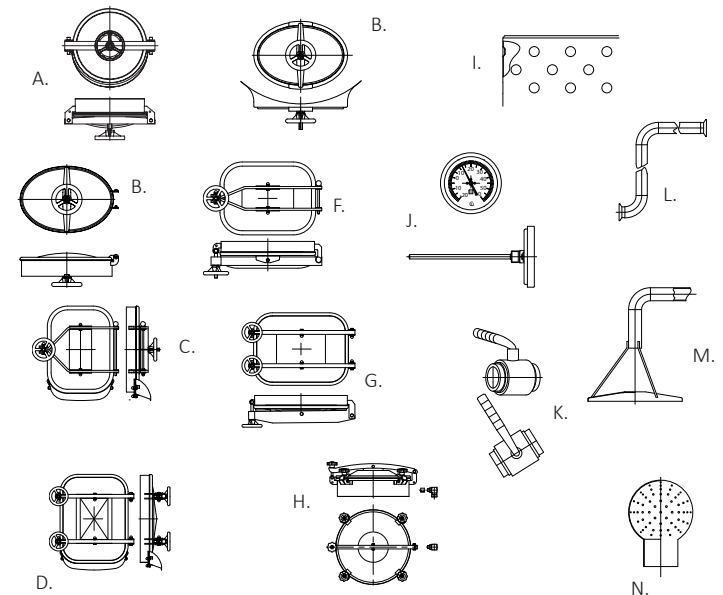
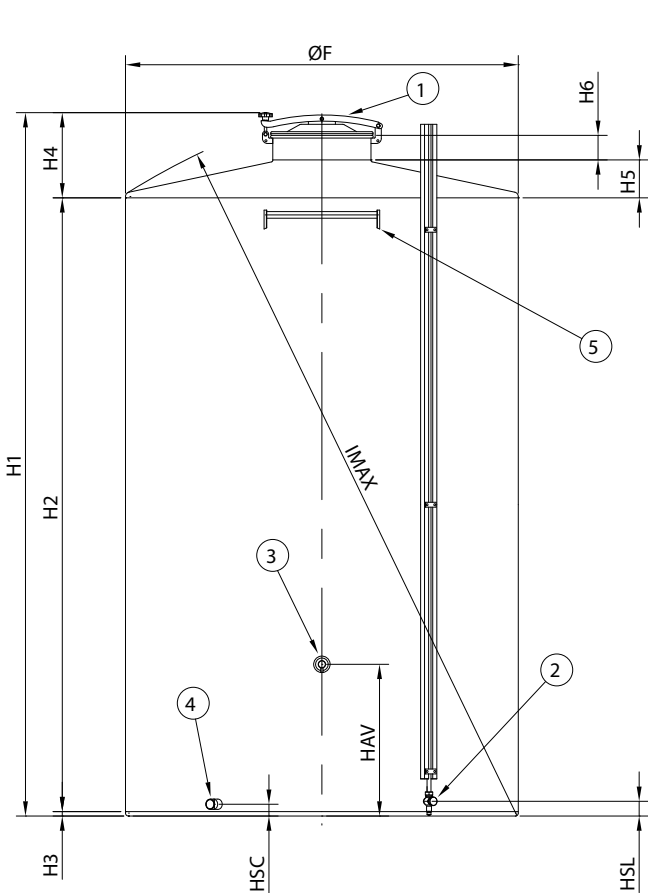
- A. Round door \varnothing 400 mm Code AP0003
- B. Oval door 304x400 mm Code AP0004
- C. Rectangular door 420x310 mm Code AP0005
- D. Rectangular door 530x400 mm Code AP0006
- E. Moulded oval door 300x435 only for diameter 1310 Code AP0007
- F. Rectangular horizontal door. 310x420 Code AP0008
- G. Rectangular horizontal door 400x530 Code AP0009
- H. Cover with 4 holdfast and level gauge with re-entry for nitrogen Code AC0021
- I. Sprinkler for pipe filling up must \varnothing 40 Code AZ1004 - \varnothing 50 Code AZ1005 - \varnothing 60 Code AZ1006
- J. Moulded refrigerating band
- K. Thermometer Code AZ0041
- L. Every kind of valves
- M. Pipe filling up must \varnothing 40 Code AZ1001 - \varnothing 50 Code AZ1002 - \varnothing 60 Code AZ1003
- N. Electric boiler

See special fittings pages



CODE	LITERS	$\varnothing F$	H1	H2	H3	H4	H5	H6	HSL	HAV	HSP	HST	LEGS	HZA	IMAX
FCGS2500A	2500	1310	2695	1875	515	305	115	100	615	1215	545	325	3 reg.	510	2735
FCGS3000A	3000	1310	3070	2250	515	305	115	100	615	1215	545	325	3 reg.	510	3110
FCGS3000B	3000	1600	2360	1500	515	345	155	100	615	1215	545	280	4 reg.	510	2520
FCGS4000A	4000	1600	2860	2000	515	345	155	100	615	1215	545	280	4 reg.	510	2995
FCGS5000A	5000	1600	3360	2500	515	345	155	100	615	1215	545	280	4 reg.	510	3475
FCGS5000B	5000	1800	2860	2000	515	345	155	100	615	1215	545	280	4 reg.	510	3005
FCGS6000A	6000	1600	3860	3000	515	345	155	100	615	1215	545	280	4 reg.	510	3960
FCGS6500A	6500	1800	3360	2500	515	345	155	100	615	1215	545	280	4 reg.	510	3485
FCGS8000A	8000	1800	3860	3000	515	345	155	100	615	1215	545	280	4 reg.	510	3970
FCGS8000B	8000	2100	3395	2500	530	365	165	100	630	1230	560	275	4 reg.	525	3550
FCGS10000A	10000	2100	3895	3000	530	365	165	100	630	1230	560	275	4 reg.	525	4030
FCGS13500A	13500	2400	3920	3000	530	390	195	100	630	1230	560	255	5 reg.	525	4185

02. TANK MOD. FPS FOR STORAGE



SPECIAL FITTINGS

- A. Round door $\varnothing 400$ mm *Code AP0003*
- B. Oval door 304x400 mm *Code AP0004*
- C. Rectangular door 420x310 mm *Code AP0005*
- D. Rectangular door 530x400 mm *Code AP0006*
- E. Moulded oval door 300x435 only for diameter 1310 *Code AP0007*
- F. Rectangular horizontal door 310x420 *Code AP0008*
- G. Rectangular horizontal door 400x530 *Code AP0009*
- H. Cover with 4 holdfast and level gauge with re-entry for nitrogen *Code AC0021*
- I. Sprinkler for pipe filling up must $\varnothing 40$ *Code AZ1004* - $\varnothing 50$ *Code AZ1005* - $\varnothing 60$ *Code AZ1006*
- J. Moulded refrigerating band
- K. Thermometer *Code AZ0041*
- L. Every kind of valves
- M. Pipe filling up must $\varnothing 40$ *Code AZ1001* - $\varnothing 50$ *Code AZ1002* - $\varnothing 60$ *Code AZ1003*
- N. Washing ball *Code AZ0071*

See special fittings pages

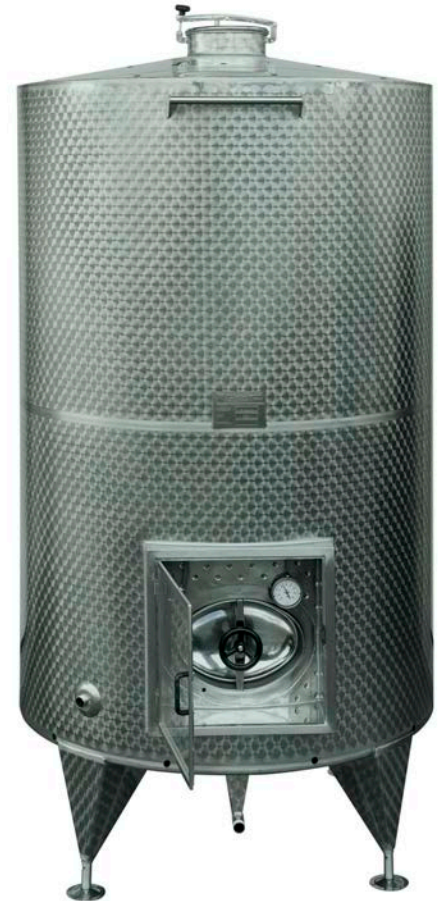
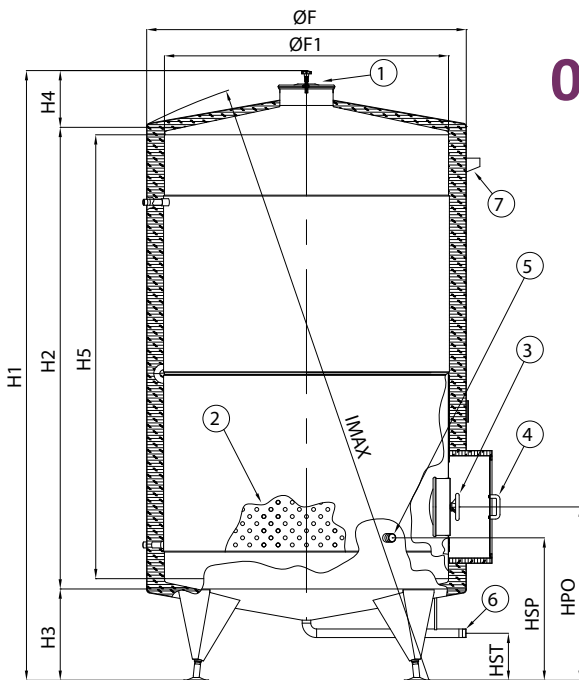
STANDARD EQUIPMENT



1. Cover with bolt $\varnothing 400$ mm
2. Level gauge with protection sheet
3. Wine taster
4. Gate for clear removal (to specify \varnothing)
5. Ladder support (to specify \varnothing)

CODE	LITERS	$\varnothing F$	H1	H2	H3	H4	H5	H6	HSL	HAV	HSC	IMAX
FPS2500A	2500	1310	2200	1875	20	305	115	100	100	720	50	2335
FPS3000A	3000	1310	2575	2250	20	305	115	100	100	720	50	2685
FPS3000B	3000	1600	1865	1500	20	345	155	100	100	720	50	2210
FPS4000A	4000	1600	2365	2000	20	345	155	100	100	720	50	2580
FPS5000A	5000	1600	2865	2500	20	345	155	100	100	720	50	3005
FPS5000B	5000	1800	2365	2000	20	345	155	100	100	720	50	2715
FPS6000A	6000	1600	3365	3000	20	345	155	100	100	720	50	3480
FPS6500A	6500	1800	2865	2500	20	345	155	100	100	720	50	3105
FPS8000A	8000	1800	3365	3000	20	345	155	100	100	720	50	3525
FPS8000B	8000	2100	2885	2500	20	365	165	100	100	720	50	3165
FPS10000A	10000	2100	3385	3000	20	365	165	100	100	720	50	3580
FPS13500A	13500	2400	3410	3000	20	390	195	100	100	720	50	3860

03. INSULATED TANK



STANDARD EQUIPMENT

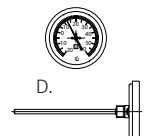
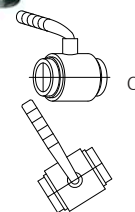
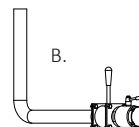
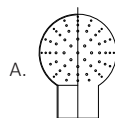


1. Cover with bolt \varnothing 300 mm
2. Moulded refrigerating band
3. Oval door 304x400
4. Oval door insulation
5. Gate for clear removal (to specify \varnothing)
6. Gate for complete wasting-pipe (to specify \varnothing)
7. Ladder support

SPECIAL FITTINGS

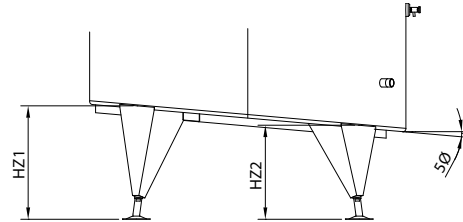
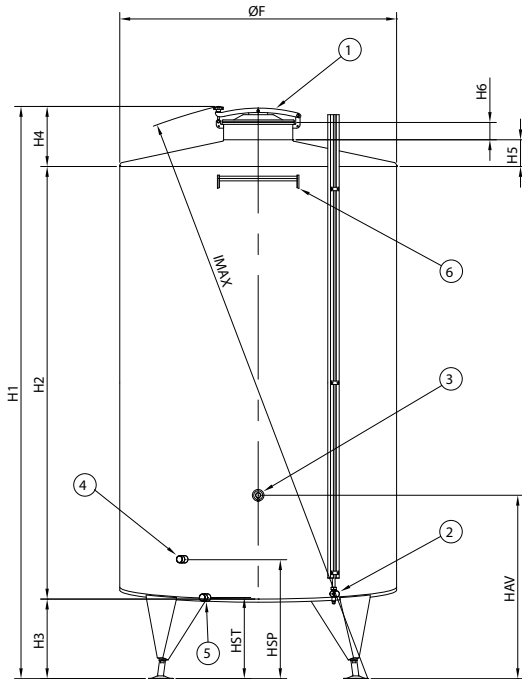
- A. Washing ball *Code AZ0071*
- B. Flanged decanting valve
- C. Every kind of valves
- D. Thermometer *Code AZ0041*

See special fittings pages



CODE	LITERS	ØF	H1	H2	H3	H4	ØF1	H5	HPO	HSP	HST	LEGS	IMAX
ISO1000A	1000	1160	2305	1500	515	290	920	1400	975	805	330	3 reg.	2340
ISO1500A	1500	1310	2320	1500	515	305	1160	1400	975	805	325	3 reg.	2350
ISO2000A	2000	1500	2360	1500	515	345	1310	1400	975	805	280	3 reg.	2645
ISO2500A	2500	1500	2735	1875	515	345	1310	1775	975	805	280	4 reg.	2990
ISO3000A	3000	1500	3115	2250	515	345	1310	2150	975	805	280	4 reg.	3130
ISO3000B	3000	1800	2360	1500	515	345	1600	1400	975	805	280	4 reg.	2680
ISO4000A	4000	1800	2860	2000	515	345	1600	1900	975	805	280	4 reg.	3010
ISO5000A	5000	1800	3360	2500	515	345	1600	2400	975	805	280	4 reg.	3450
ISO5000B	5000	2100	2895	2000	530	365	1800	1900	990	820	275	4 reg.	3120
ISO6000A	6000	1800	3860	3000	515	345	1600	2900	975	805	280	4 reg.	3900
ISO6500A	6500	2100	3395	2500	530	365	1800	2400	990	820	275	4 reg.	3590
ISO8000A	8000	2100	3895	3000	530	365	1800	2900	990	820	275	4 reg.	4070
ISO8000B	8000	2300	3420	2500	530	390	2100	2400	990	820	255	5 reg.	3805
ISO10000A	10000	2300	3920	3000	530	390	2100	2900	990	820	255	5 reg.	4220

04. Tank Mod. FIGS FERMENTINO



STANDARD EQUIPMENT

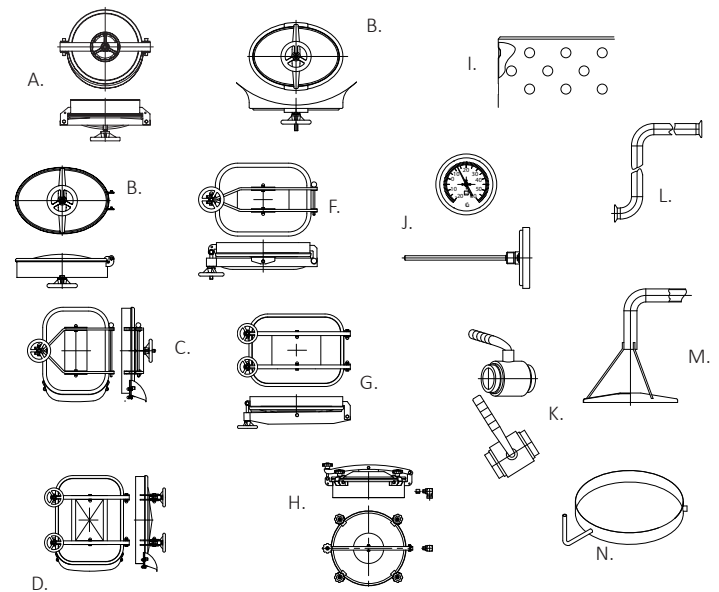


1. Cover with bolt \varnothing 400 mm
2. Level gauge with protection sheet
3. Wine taster
4. Gate for clear removal (to specify \varnothing)
5. Gate for complete wasting-pipe (to specify \varnothing)
6. Ladder support

SPECIAL FITTINGS

- A. Round door \varnothing 400 mm *Code AP0003*
- B. Oval door 304x400 mm *Code AP0004*
- C. Rectangular door 420x310 mm *Code AP0005*
- D. Rectangular door 530x400 mm *Code AP0006*
- E. Moulded oval door 300x435 only for diameter 1310 *Code AP0007*
- F. Rectangular horizontal door: 310x420 *Code AP0008*
- G. Rectangular horizontal door 400x530 *Code AP0009*
- H. Cover with 4 holdfast and level gauge with re-entry for nitrogen *Code AC0021*
- I. Sprinkler for pipe filling up must \varnothing 40 *Code AZ1004* - \varnothing 50 *Code AZ1005* - \varnothing 60 *Code AZ1006*
- J. Moulded refrigerating band
- K. Thermometer *Code AZ0041*
- L. Every kind of valves
- M. Pipe filling up must \varnothing 40 *Code AZ1001* - \varnothing 50 *Code AZ1002* - \varnothing 60 *Code AZ1003*
- N. Electric boiler

See special fittings pages



CODE	LITERS	$\varnothing F$	H1	H2	H3	H4	H5	H6	HAV	HSP	HST	LEGS	HZ1	HZ2	IMAX
FIGS1500A	LT.1500	1160	2255	1500	465	290	95	100	1165	700	475	4 reg.	540	475	2370
FIGS2000A	LT.2000	1310	2270	1500	465	305	115	100	1165	695	475	4 reg.	555	475	2400
FIGS2500A	LT.2500	1310	2645	1875	465	305	115	100	1165	695	475	4 reg.	555	475	2760
FIGS3000A	LT.3000	1310	3020	2250	465	305	115	100	1165	695	475	4 reg.	555	475	3120
FIGS3000B	LT.3000	1600	2305	1500	460	345	155	100	1160	690	470	4 reg.	575	475	2470
FIGS4000A	LT.4000	1600	2805	2000	460	345	155	100	1160	690	470	4 reg.	575	475	2945
FIGS5000A	LT.5000	1600	3305	2500	460	345	155	100	1160	690	470	4 reg.	575	475	3425
FIGS5000B	LT.5000	1800	2800	2000	455	345	155	100	1155	685	470	5 reg.	585	475	2960
FIGS6000A	LT.6000	1600	3805	3000	460	345	155	100	1160	690	470	4 reg.	575	475	3910
FIGS6500A	LT.6500	1800	3300	2500	455	345	155	100	1155	685	470	5 reg.	585	475	3435
FIGS8000A	LT.8000	1800	3800	3000	455	345	155	100	1155	685	470	5 reg.	585	475	3915
FIGS8000B	LT.8000	2100	3365	2500	500	365	165	100	1200	725	510	5 reg.	650	520	3520
FIGS10000A	LT.10000	2100	3865	3000	500	365	165	100	1200	725	510	5 reg.	650	520	4000
FIGS13500A	LT.13500	2400	3910	3000	520	390	195	100	1220	750	530	5 reg.	690	550	4075

05. Tank Mod. FIG FERMENTINO Pneumatic System

STANDARD EQUIPMENT

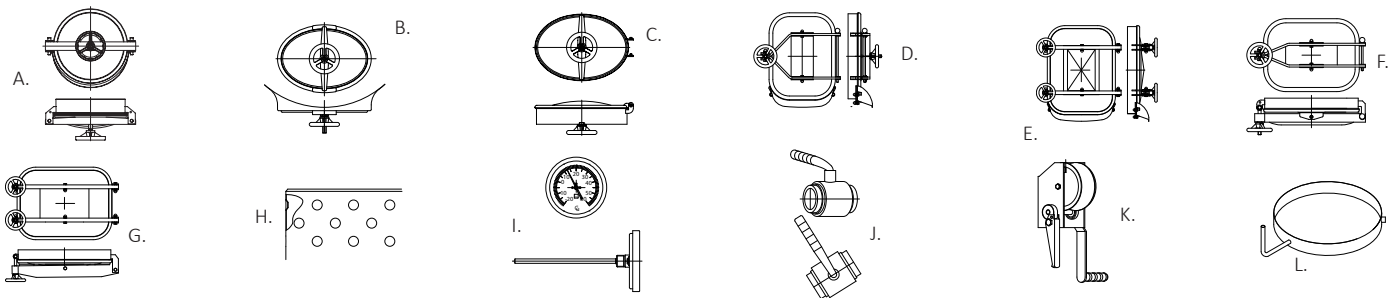
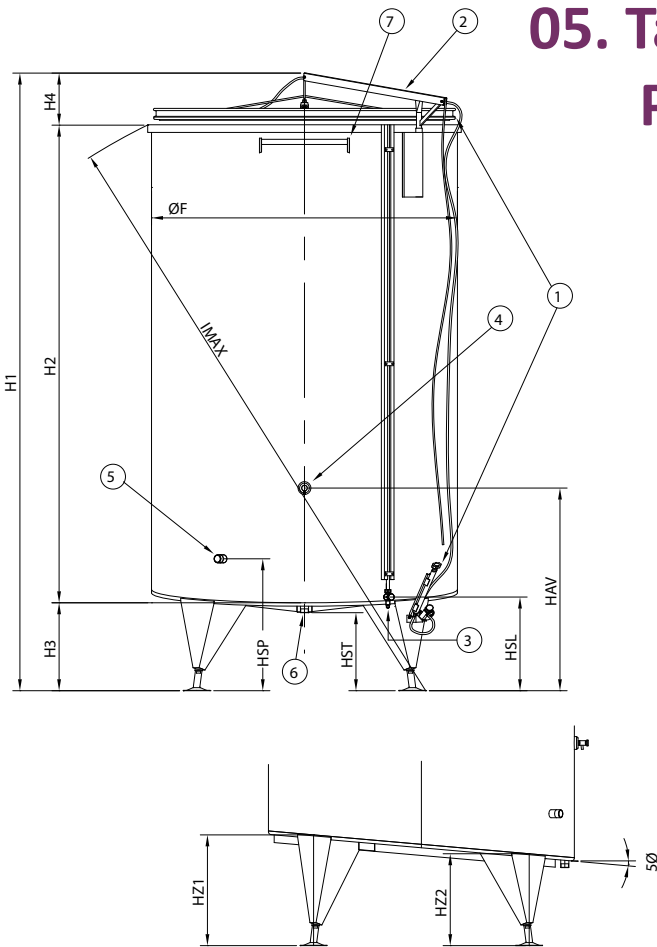


1. Float and kit pneumatic
2. Float level arm
3. Level gauge with protection sheet
4. Wine taster
5. Gate for clear removal (to specify \varnothing)
6. Gate for complete wasting-pipe (to specify \varnothing)
7. Ladder support

SPECIAL FITTINGS

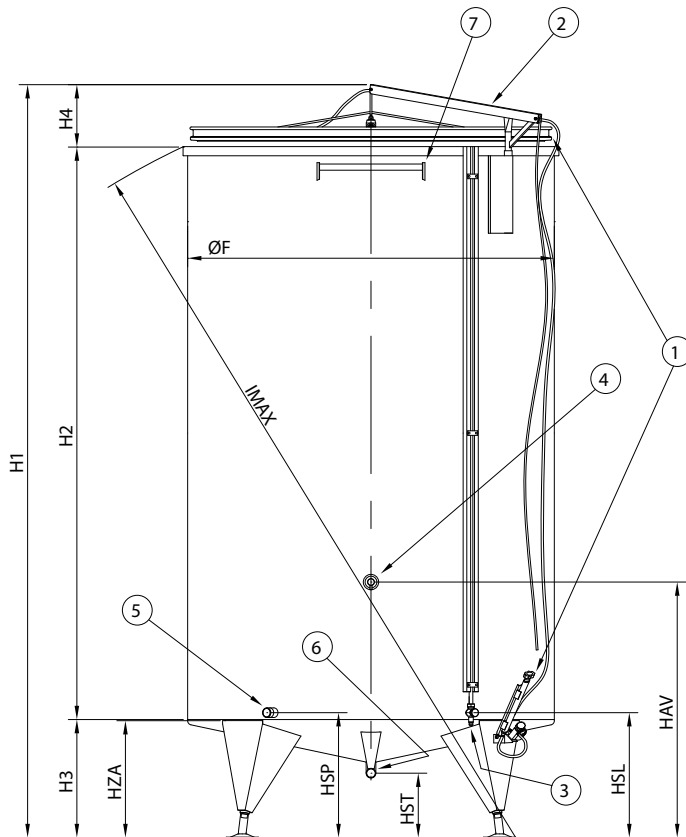
- A. Round door \varnothing 400 mm *Code AP0003*
- B. Oval door 304x400 mm *Code APO004*
- C. Rettangular door 420x310 mm *Code AP0005*
- D. Rettangular door 530x400 mm *Code AP0006*
- E. Oval door moulded 300x435 only for diameter 1310 *Code APO007*
- F. Rectangular horizontal door 310x420 *Code AP0008*
- G. Rectangular horizontal door 400x530 *Code AP0009*
- H. Moulded refrigerating band
- I. Thermometer *Code AZ0041*
- J. Every kind of valves
- K. Windlass for float level arm *Code AZ0031*
- L. Flanged decanting valve

See special fittings pages



CODE	LITERS	$\varnothing F$	H1	H2	H3	H4	HAV	HSP	HST	LEGS	HZ1	HZ2	IMAX
FIG1500A	1500	1160	2270	1500	465	305	1165	700	475	4 reg.	540	475	2245
FIG2000A	2000	1310	2280	1500	465	315	1165	695	475	4 reg.	555	475	2305
FIG2500A	2500	1310	2655	1875	465	315	1165	695	475	4 reg.	555	475	2630
FIG3000A	3000	1310	3030	2250	465	315	1165	695	475	4 reg.	555	475	2970
FIG3000B	3000	1600	2480	1500	460	520	1160	690	470	4 reg.	575	475	2440
FIG4000A	4000	1600	2980	2000	460	520	1160	690	470	4 reg.	575	475	2855
FIG5000A	5000	1600	3480	2500	460	520	1160	690	470	4 reg.	575	475	3295
FIG5000B	5000	1800	3065	2000	460	605	1160	685	470	5 reg.	585	475	2945
FIG6000A	6000	1600	3980	3000	460	520	1160	690	470	4 reg.	575	475	3750
FIG6500A	6500	1800	3565	2500	460	605	1160	685	470	5 reg.	585	475	3375
FIG8000A	8000	1800	4065	3000	460	605	1160	685	470	5 reg.	585	475	3820
FIG8000B	8000	2100	3690	2500	500	690	1200	725	510	5 reg.	650	520	3530
FIG10000A	10000	2100	4190	3000	500	690	1200	725	510	5 reg.	650	520	3965
FIG13500A	13500	2400	4070	3000	520	550	1220	750	530	5 reg.	700	550	4110

06. Tank Mod. FCG Pneumatic System

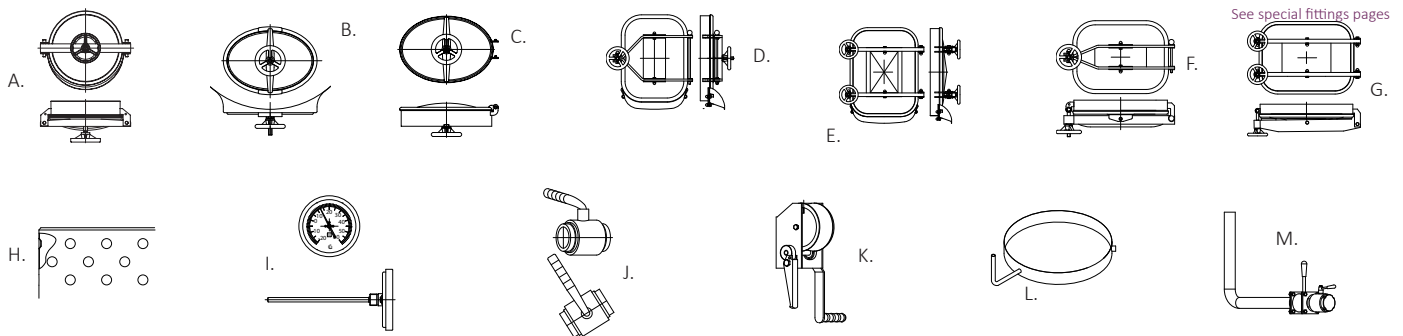


STANDARD EQUIPMENT

1. Float and kit pneumatic
2. Float level arm
3. Level gauge with protection sheet
4. Wine taster
5. Gate for clear removal (to specify \emptyset)
6. Gate for complete wasting-pipe (to specify \emptyset)
7. Ladder support

SPECIAL FITTINGS

- A. Round door \emptyset 400 mm *Code AP0003*
- B. Oval door 304x400 mm *Code AP0004*
- C. Rettangular door 420x310 mm *Code AP0005*
- D. Rettangular door 530x400 mm *Code AP0006*
- E. Oval door moulded 300x435 only for diameter 1310 *Code AP0007*
- F. Rectangular horizontal door 310x420 *Code AP0008*
- G. Rectangular horizontal door 400x530 *Code AP0009*
- H. Moulded refrigerating band
- I. Thermometer *Code AZ0041*
- J. Every kind of valves
- K. Windlass for float level arm *Code AZ0031*
- L. Electric boiler
- M. Flanged decanting valve



CODE	LITERS	$\emptyset F$	H1	H2	H3	H4	HSL	HAV	HSP	HST	LEGS	HZA	IMAX
FCG2500A	2500	1310	2705	1875	515	315	615	1215	545	325	3 reg.	510	2760
FCG3000A	3000	1310	3080	2250	515	315	615	1215	545	325	3 reg.	510	3090
FCG3000B	3000	1600	2535	1500	515	520	615	1215	545	280	4 reg.	510	2480
FCG4000A	4000	1600	3035	2000	515	520	615	1215	545	280	4 reg.	510	2905
FCG5000A	5000	1600	3535	2500	515	520	615	1215	545	280	4 reg.	510	3345
FCG5000B	5000	1800	3120	2000	515	605	615	1215	545	280	4 reg.	510	2985
FCG6000A	6000	1600	4035	3000	515	520	615	1215	545	280	4 reg.	510	3800
FCG6500A	6500	1800	3620	2500	515	605	615	1215	545	280	4 reg.	510	3420
FCG8000A	8000	1800	4120	3000	515	605	615	1215	545	280	4 reg.	510	3865
FCG8000B	8000	2100	3720	2500	530	690	630	1230	560	275	4 reg.	525	3560
FCG10000A	10000	2100	4220	3000	530	690	630	1230	560	275	4 reg.	525	3995
FCG13500A	13500	2400	4080	3000	530	550	630	1230	560	255	5 reg.	525	4180