

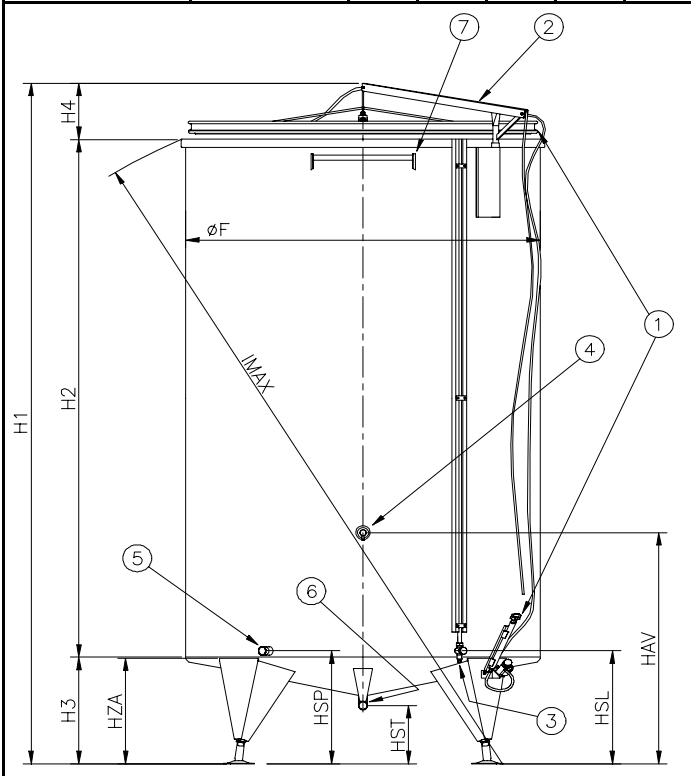
Ghidi  METALLI[®]

**Production
capacity
increases**

STAINLESS STEEL CONTAINERS
BIG CAPACITIES

TANK MOD. FCG PNEUMATIC SYSTEM STAINLESS STEEL AISI 304

CODE	LITRES	ØF	H1	H2	H3	H4	HSL	HAV	HSP	HST	LEGS	HZA	IMAX
FCG2500A	2500	1310	2705	1875	515	315	615	1215	545	325	3 reg.	510	2760
FCG3000A	3000	1310	3080	2250	515	315	615	1215	545	325	3 reg.	510	3090
FCG3000B	3000	1600	2535	1500	515	520	615	1215	545	280	4 reg.	510	2480
FCG4000A	4000	1600	3035	2000	515	520	615	1215	545	280	4 reg.	510	2905
FCG5000A	5000	1600	3535	2500	515	520	615	1215	545	280	4 reg.	510	3345
FCG5000B	5000	1800	3120	2000	515	605	615	1215	545	280	4 reg.	510	2985
FCG6000A	6000	1600	4035	3000	515	520	615	1215	545	280	4 reg.	510	3800
FCG6500A	6500	1800	3620	2500	515	605	615	1215	545	280	4 reg.	510	3420
FCG8000A	8000	1800	4120	3000	515	605	615	1215	545	280	4 reg.	510	3865
FCG8000B	8000	2100	3720	2500	530	690	630	1230	560	275	4 reg.	525	3560
FCG10000A	10000	2100	4220	3000	530	690	630	1230	560	275	4 reg.	525	3995
FCG13500A	13500	2400	4080	3000	530	550	630	1230	560	255	5 reg.	525	4180



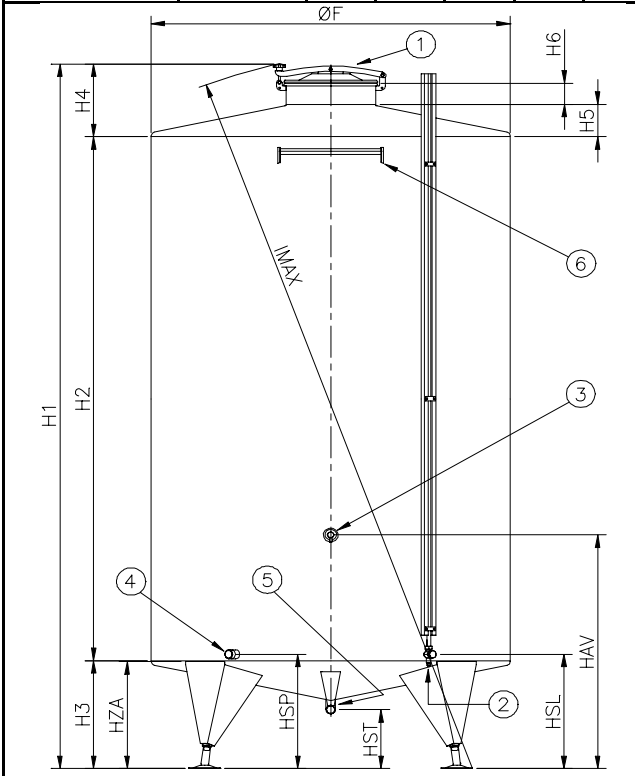
POS.	STANDARD EQUIPMENT
1	float and kit pneumatic
2	float level arm
3	level gauge with protection sheet
4	wine taster
5	gate for clear removal (to specify Ø)
6	gate for complete wasting-pipe (to specify Ø)
7	ladder support

SPECIAL FITTINGS

	round door Ø 400 mm code AP0003		electric boiler see special fittings pages
	oval door 304x400 mm. code AP0004		thermometer code AZ0041
	rectangular door 420x310 mm. code AP0005		flanged decanting valve see special fittings pages
	rectangular door 530x400 mm. code AP0006 p		windlass for float level arm code AZ0031
	oval door moulded 300x435 only for diameter 1310 code AP0007		moulded refrigerating band
	every kind of valves see special fittings pages		

TANK MOD. FCGS FOR STORAGE STAINLESS STEEL AISI 304

CODE	LITRES	ØF	H1	H2	H3	H4	H5	H6	HSL	HAV	HSP	HST	LEGS	HZA	IMAX
FCGS2500A	2500	1310	2695	1875	515	305	115	100	615	1215	545	325	3 reg.	510	2735
FCGS3000A	3000	1310	3070	2250	515	305	115	100	615	1215	545	325	3 reg.	510	3110
FCGS3000B	3000	1600	2360	1500	515	345	155	100	615	1215	545	280	4 reg.	510	2520
FCGS4000A	4000	1600	2860	2000	515	345	155	100	615	1215	545	280	4 reg.	510	2995
FCGS5000A	5000	1600	3360	2500	515	345	155	100	615	1215	545	280	4 reg.	510	3475
FCGS5000B	5000	1800	2860	2000	515	345	155	100	615	1215	545	280	4 reg.	510	3005
FCGS6000A	6000	1600	3860	3000	515	345	155	100	615	1215	545	280	4 reg.	510	3960
FCGS6500A	6500	1800	3360	2500	515	345	155	100	615	1215	545	280	4 reg.	510	3485
FCGS8000A	8000	1800	3860	3000	515	345	155	100	615	1215	545	280	4 reg.	510	3970
FCGS8000B	8000	2100	3395	2500	530	365	165	100	630	1230	560	275	4 reg.	525	3550
FCGS10000A	10000	2100	3895	3000	530	365	165	100	630	1230	560	275	4 reg.	525	4030
FCGS13500A	13500	2400	3920	3000	530	390	195	100	630	1230	560	255	5 reg.	525	4185



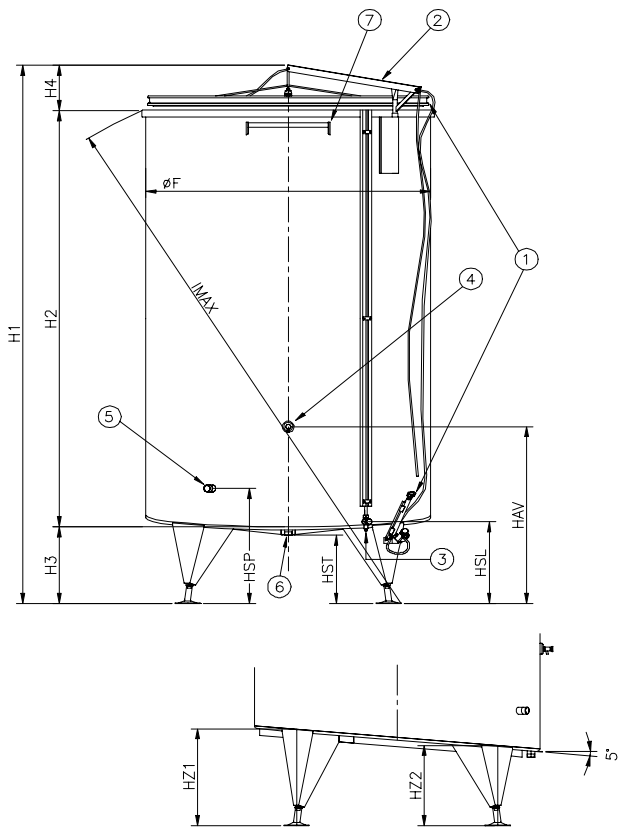
POS.	STANDARD EQUIPMENT
1	cover with bolt Ø 400 mm.
2	level gauge with protection sheet
3	wine taster
4	gate for clear removal (to specify Ø)
5	gate for complete wasting-pipe (to specify Ø)
6	ladder support

SPECIAL FITTINGS

	cover with 4 holdfast and level gauge with re-entry for nitrogen code AC0021		every kind of valves see special fittings pages
	round door Ø 400 mm code AP0003		pipe filling up must Ø 40 code AZ1001 Ø 50 code AZ1002 Ø 60 code AZ1003
	oval door 304x400 mm. code AP0004		sprinkler for pipe filling up must pipe Ø 40 code AZ1004 pipe Ø 50 code AZ1005 pipe Ø 60 code AZ1006
	rectangular door 420x310 mm. code AP0005		electric boiler see special fittings pages
	rectangular door 530x400 mm. code AP0006		thermometer code AZ0041
	moulded oval door 300x435 only for diameter 1310 code AP0007		moulded refrigerating band see special fittings pages

TANK MOD. FIG "FERMENTO" PNEUM. SYST. STAINLESS STEEL AISI 304

CODE	LITRES	ØF	H1	H2	H3	H4	HAV	HSP	HST	LEGS	HZ1	HZ2	IMAX
FIG1500A	1500	1160	2270	1500	465	305	1165	700	475	4 reg.	540	475	2245
FIG2000A	2000	1310	2280	1500	465	315	1165	695	475	4 reg.	555	475	2305
FIG2500A	2500	1310	2655	1875	465	315	1165	695	475	4 reg.	555	475	2630
FIG3000A	3000	1310	3030	2250	465	315	1165	695	475	4 reg.	555	475	2970
FIG3000B	3000	1600	2480	1500	460	520	1160	690	470	4 reg.	575	475	2440
FIG4000A	4000	1600	2980	2000	460	520	1160	690	470	4 reg.	575	475	2855
FIG5000A	5000	1600	3480	2500	460	520	1160	690	470	4 reg.	575	475	3295
FIG5000B	5000	1800	3065	2000	460	605	1160	685	470	5 reg.	585	475	2945
FIG6000A	6000	1600	3980	3000	460	520	1160	690	470	4 reg.	575	475	3750
FIG6500A	6500	1800	3565	2500	460	605	1160	685	470	5 reg.	585	475	3375
FIG8000A	8000	1800	4065	3000	460	605	1160	685	470	5 reg.	585	475	3820
FIG8000B	8000	2100	3690	2500	500	690	1200	725	510	5 reg.	650	520	3530
FIG10000A	10000	2100	4190	3000	500	690	1200	725	510	5 reg.	650	520	3965
FIG13500A	13500	2400	4070	3000	520	550	1220	750	530	5 reg.	700	550	4110



POS.	STANDARD EQUIPMENT
1	float and kit pneumatic
2	float level arm
3	level gauge with protection sheet
4	wine taster
5	gate for clear removal (to specify Ø)
6	gate for complete wasting-pipe (to specify Ø)
7	ladder support

SPECIAL FITTINGS

	round door Ø 400 mm code AP0003		every kind of valves see special fittings pages
	oval door 304x400 mm. code AP0004		electric boiler see special fittings pages
	rectangular door 420x310 mm. code AP0005		thermometer code AZ0041
	rectangular door 530x400 mm. code AP0006		moulded refrigerating band see special fittings pages
	oval door moulded 300x435 only for diameter 1310 code AP0007		windlass for float level arm code AZ0031

TANK MOD. FPS FOR STORAGE STAINLESS STEEL AISI 304

CODE	LITRES	ØF	H1	H2	H3	H4	H5	H6	HSL	HAV	HSC	IMAX
FPS2500A	2500	1310	2200	1875	20	305	115	100	100	720	50	2335
FPS3000A	3000	1310	2575	2250	20	305	115	100	100	720	50	2685
FPS3000B	3000	1600	1865	1500	20	345	155	100	100	720	50	2210
FPS4000A	4000	1600	2365	2000	20	345	155	100	100	720	50	2580
FPS5000A	5000	1600	2865	2500	20	345	155	100	100	720	50	3005
FPS5000B	5000	1800	2365	2000	20	345	155	100	100	720	50	2715
FPS6000A	6000	1600	3365	3000	20	345	155	100	100	720	50	3480
FPS6500A	6500	1800	2865	2500	20	345	155	100	100	720	50	3105
FPS8000A	8000	1800	3365	3000	20	345	155	100	100	720	50	3525
FPS8000B	8000	2100	2885	2500	20	365	165	100	100	720	50	3165
FPS10000A	10000	2100	3385	3000	20	365	165	100	100	720	50	3580
FPS13500A	13500	2400	3410	3000	20	390	195	100	100	720	50	3860

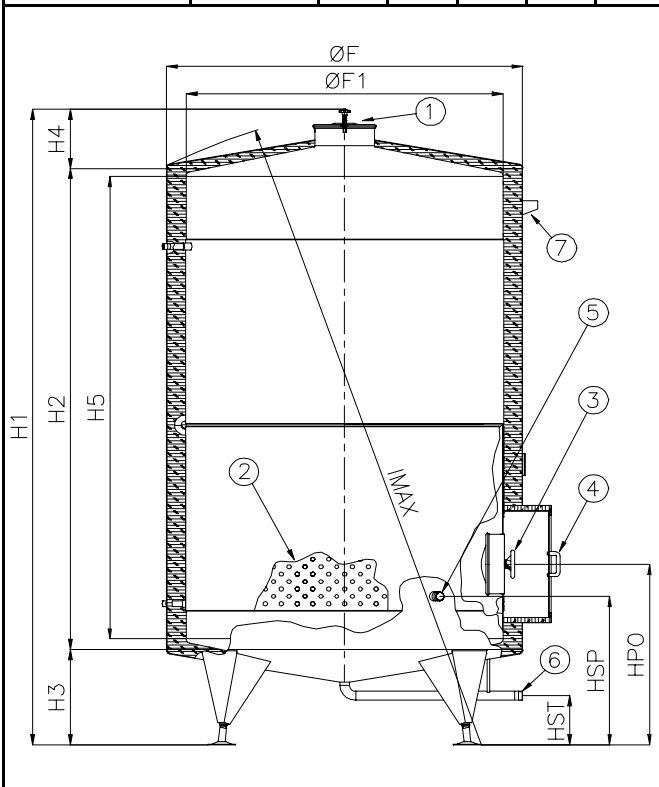
POS.	STANDARD EQUIPMENT
1	cover with bolt Ø 400 mm.
2	level gauge with protection sheet
3	wine taster
4	gate for clear removal (to specify Ø)
5	ladder support

SPECIAL FITTINGS

	cover with 4 holdfast and level gauge with re-entry for nitrogeno code AC0021		every kind of valves see special fittings pages
	round door Ø 400 mm code AP0003		pipe filling up must Ø 40 code AZ1001 Ø 50 code AZ1002 Ø 60 code AZ1003
	oval door 304x400 mm. code AP0004		sprinkler for pipe filling up must pipe Ø 40 code AZ1004 pipe Ø 50 code AZ1005 pipe Ø 60 code AZ1006
	rectangular door 420x310 mm. code AP0005		washing ball code AZ0071
	rectangular door 530x400 mm. code AP0006		thermometer code AZ0041
	oval door moulded 300x435 only for diameter 1310 code AP0007		moulded refrigerating band see special fittings pages

INSULATED TANK STAINLESS STEEL AISI 304

CODE	CAPAC.	ØF	H1	H2	H3	H4	ØF1	H5	HPO	HSP	HST	LEGS	IMAX
ISO1000A	1000	1160	2305	1500	515	290	920	1400	975	805	330	3 reg.	2340
ISO1500A	1500	1310	2320	1500	515	305	1160	1400	975	805	325	3 reg.	2350
ISO2000A	2000	1600	2360	1500	515	345	1310	1400	975	805	280	3 reg.	2645
ISO2500A	2500	1600	2735	1875	515	345	1310	1775	975	805	280	4 reg.	2990
ISO3000A	3000	1600	3115	2250	515	345	1310	2150	975	805	280	4 reg.	3130
ISO3000B	3000	1800	2360	1500	515	345	1600	1400	975	805	280	4 reg.	2680
ISO4000A	4000	1800	2860	2000	515	345	1600	1900	975	805	280	4 reg.	3010
ISO5000A	5000	1800	3360	2500	515	345	1600	2400	975	805	280	4 reg.	3450
ISO5000B	5000	2100	2895	2000	530	365	1800	1900	990	820	275	4 reg.	3120
ISO6000A	6000	1800	3860	3000	515	345	1600	2900	975	805	280	4 reg.	3900
ISO6500A	6500	2100	3395	2500	530	365	1800	2400	990	820	275	4 reg.	3590
ISO8000A	8000	2100	3895	3000	530	365	1800	2900	990	820	275	4 reg.	4070
ISO8000B	8000	2400	3420	2500	530	390	2100	2400	990	820	255	5 reg.	3805
ISO10000A	10000	2400	3920	3000	530	390	2100	2900	990	820	255	5 reg.	4220



POS.	STANDARD EQUIPMENT
1	cover with bolt Ø 300 mm.
2	moulded refrigerating band
3	oval door 304x400
4	oval door insulation
5	gate for clear removal (to specify Ø)
6	gate for complete wasting-pipe (to specify Ø)
7	ladder support

SPECIAL FITTINGS

	every kind of valves see special fittings pages		washing ball code AZ0071
	flanged decanting valve see special fittings pages		

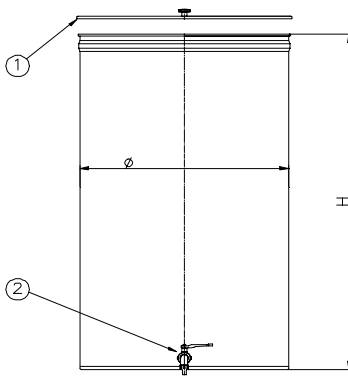
Ghidi  METALLI

**Production
capacity
increases**

STAINLESS STEEL CONTAINERS
BIG CAPACITIES

**PRICE LISTI IN EURO
5/2004
VALIDITY 01/01/04**

TANK MOD. FPP FOR OLIVE OIL STAINLESS STEEL AISI 304

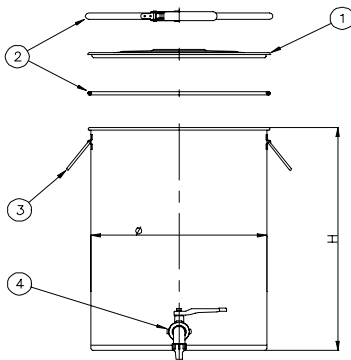


CODE	L.	Ø	H
10025	25	365	250
10050	50	365	500
10075	75	365	750
10100	100	410	750
10150	150	510	750
10200	200	510	1000
10300	300	620	1000
10400	400	720	1000
10500	500	720	1250
10600	600	720	1500
10800	800	920	1250
11000	1000	920	1500
11500	1500	1160	1500
12000	2000	1310	1500

POS.	STANDARD EQUIPMENT
1	ANTIDUST COVER
2	VALVE GHIDI 1" INOX

SPECIAL FITTINGS: SUPPORT INOX (SEE SPARE PARTS PAGES)

TANK MOD. FPP FOR TRANSPORT STAINLESS STEEL AISI 304

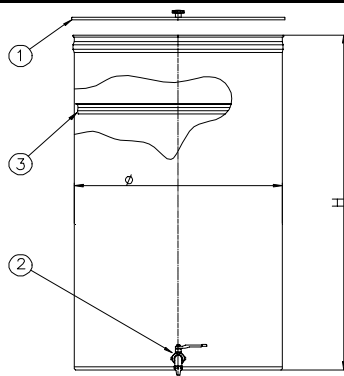


CODE	L.	Ø	H
30025	25	365	250
30050	50	365	500
30075	75	365	750
30100	100	410	750
30150	150	510	750
30200	200	510	1000
****	***	***	***
****	***	***	***
****	***	***	***
****	***	***	***

POS.	STANDARD EQUIPMENT
1	COVER
2	CLIP & JOINT
3	HANDLES
4	VALVE GHIDI 1" INOX

SPECIAL FITTINGS: SUPPORT INOX (SEE SPARE PARTS PAGES)

TANK MOD. FPP FOR WINE OENOLOGICAL OIL SYSTEM STEEL AISI 304

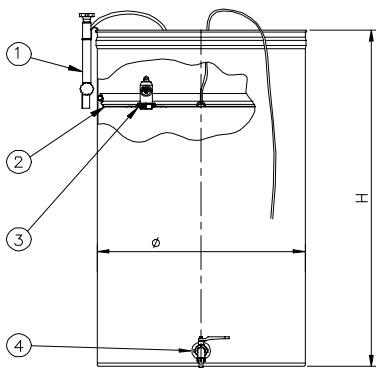


CODE WITHOUT DOOR	CODE WITH DOOR	L.	Ø	H
****	****	***	***	***
20050	****	50	365	500
20075	****	75	365	750
20100	****	100	410	750
20150	****	150	510	750
20200	****	200	510	1000
20300	****	300	620	1000
20400	20407	400	720	1000
20500	20507	500	720	1250
20600	20607	600	720	1500
20800	20807	800	920	1250
21000	21007	1000	920	1500
21500	21507	1500	1160	1500
22000	22007	2000	1310	1500

POS.	STANDARD EQUIPMENT
1	ANTIDUST COVER
2	FLOAT OENOLOGICAL OIL SYSTEM
3	VALVE GHIDI 1" INOX

SPECIAL FITTINGS: SUPPORT INOX (SEE SPARE PARTS PAGES)

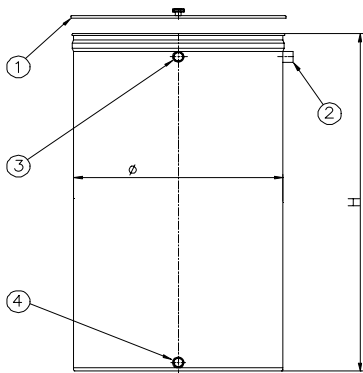
TANK MOD. FPP FOR WINE PNEUMATIC SYSTEM STAINLESS STEEL AISI 304



CODE WITHOUT D.	CODE WITH DOOR	L.	Ø	H		
****	****	***	***	***		
****	****	***	***	***		
****	****	***	***	***		
40100	****	100	410	750		
40150	****	150	510	750		
40200	****	200	510	1000		
40300	****	300	620	1000		
40400	40407	400	720	1000		
40500	40507	500	720	1250		
POS.	STANDARD EQUIPMENT					
1	PNEUMATIC AIR KIT	40800	40807	800	920	1250
2	PNEUMATIC FLOAT	41000	41007	1000	920	1500
3	VALVE REGULATING PRESSURE/DEPRESSURE	41500	41507	1500	1160	1500
4	VALVE GHIDI 1" INOX	42000	42007	2000	1310	1500

SPECIAL FITTINGS: SUPPORT INOX (SEE SPARE PARTS PAGE)

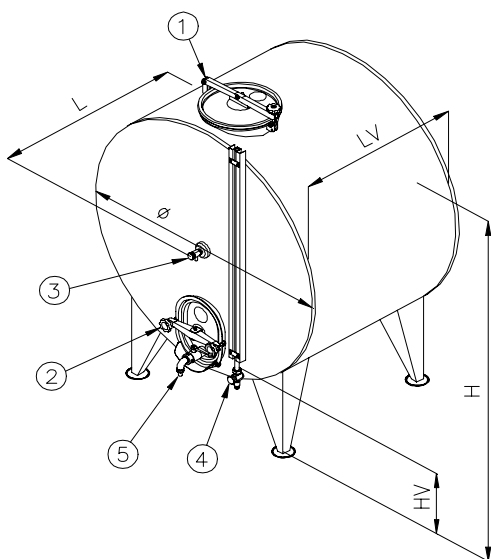
TANK MOD. FPP STORING WATER STAINLESS STEEL AISI 304



CODE	L.	Ø	H		
****	***	***	***		
****	***	***	***		
****	***	***	***		
****	***	***	***		
****	***	***	***		
****	****	***	***		
110300	300	620	1000		
110400	400	720	1000		
110500	500	720	1250		
POS.	STANDARD EQUIPMENT				
1	ANTIDUST COVER	110800	800	920	1250
2	CONNECTOR FOR ENTRANCE	111000	1000	920	1500
3	CONNECTOR OVER FULL	111500	1500	1160	1500
4	CONNECTOR FOR EXIT	112000	2000	1310	1500

SPECIAL FITTINGS: SUPPORT INOX (SEE SPARE PARTS PAGE)

TANK MOD. CASK FOR WINE STAINLESS STEEL AISI 304



CODE	L.	Ø	H	L	LV	HV
90330	330	920	1320	625	500	350
90500	500	920	1320	875	750	350
90670	670	920	1320	1125	1000	350
POS.	STANDARD EQUIPMENT					
1	upper door Ø 300 mm. with valve pressure/depressure					
2	frontal door 190 x 265 mm.					
3	wine taster					
4	level gauge with protection sheet					
5	valve Ghidi 1" inox					

TANK MOD. FCG FOR OLIVE OIL STAINLESS STEEL AISI 304

CODE WITHOUT DOOR	CODE WITH DOOR	L.	ØF	H1	H2	H3	HSL	HSP	HST	LEGS	HZA	IMAX
70301	*****	300	620	1410	1000	410	440	455	315	3	390	1500
70401	70402	400	720	1410	1000	410	440	455	315	3	390	1525
70501	70502	500	720	1660	1250	410	440	455	315	3	390	1755
70601	70602	600	720	1910	1500	410	440	455	315	3	390	1995
70801	70802	800	920	1660	1250	410	440	455	315	3	390	1810
71001	71002	1000	920	1910	1500	410	440	455	315	3	390	2045
71501	71502	1500	1160	1905	1500	405	435	435	215	3	400	2050
72001	72002	2000	1310	1910	1500	410	440	440	220	3	400	2045

	POS.	STANDARD EQUIPMENT		
	1	antidust cover		
	2	level gauge		
	3	gate for clear removal 1" with valve 1" Ghidi inox		
	4	gate for complete wasting-pipe with valve 1" Ghidi inox		
	SPECIAL FITTINGS			
		round door Ø 300 mm. see table		H legs mm.500 H legs mm.600 adjustable feet see special fittings pages
		wine taster cod. 7090		every kind of valves see special fitting pages
		protection sheet level gauge per meter cod. 7092		

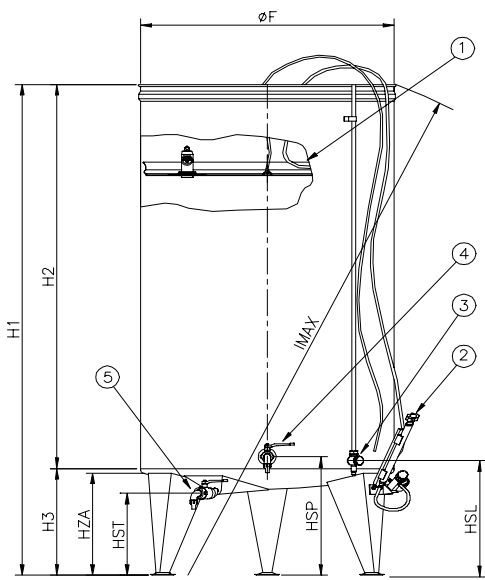
TANK MOD. FCG FOR WINE OENOLOGICAL OIL SYSTEM S. STEEL AISI 304

CODE WITHOUT DOOR	CODE WITH DOOR	L.	ØF	H1	H2	H3	HSL	HSP	HST	LEGS	HZA	IMAX
70300	*****	300	620	1410	1000	410	440	455	315	3	390	1500
70400	70407	400	720	1410	1000	410	440	455	315	3	390	1525
70500	70507	500	720	1660	1250	410	440	455	315	3	390	1755
70600	70607	600	720	1910	1500	410	440	455	315	3	390	1995
70800	70807	800	920	1660	1250	410	440	455	315	3	390	1810
71000	71007	1000	920	1910	1500	410	440	455	315	3	390	2045
71500	71507	1500	1160	1905	1500	405	435	435	215	3	400	2050
72000	72007	2000	1310	1910	1500	410	440	440	220	3	400	2045

	POS.	STANDARD EQUIPMENT		
	1	antidust cover		
	2	float oenological oil system		
	3	level gauge		
	4	gate for clear removal 1" with valve 1" Ghidi inox		
	5	gate for complete wasting-pipe with valve 1" Ghidi inox		
	SPECIAL FITTINGS			
		round door Ø 300 mm. see table		H legs mm.500 H legs mm.600 adjustable feet see special fitting pages
		wine taster cod. 7090 price		every kind of valves see special fitting pages
		protection sheet level gauge per meter cod. 7092		

TANK MOD. FCG FOR WINE PNEUMATIC SYSTEM S. STEEL AISI 304

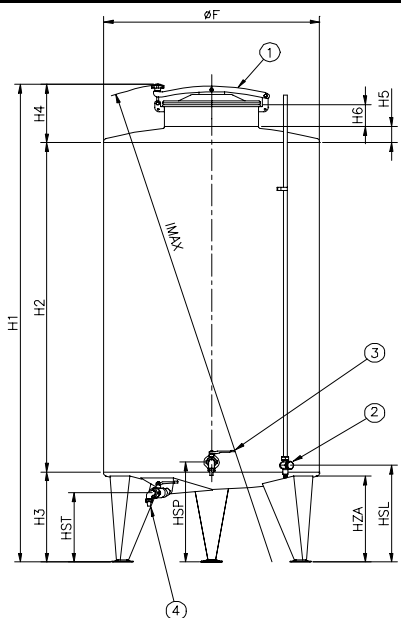
CODE WITHOUT DOOR	CODE WITH DOOR	L.	ØF	H1	H2	H3	HSL	HSP	HST	LEGS	HZA	IMAX		
80300	*****	300	620	1410	1000	410	440	455	315	3	390	1500		
80400	80407	400	720	1410	1000	410	440	455	315	3	390	1525		
80500	80507	500	720	1660	1250	410	440	455	315	3	390	1755		
80600	80607	600	720	1910	1500	410	440	455	315	3	390	1995		
80800	80807	800	920	1660	1250	410	440	455	315	3	390	1810		
81000	81007	1000	920	1910	1500	410	440	455	315	3	390	2045		
81500	81507	1500	1160	2160	1500	405	435	435	215	3	400	2115		
82000	82007	2000	1310	2165	1500	410	440	440	220	3	400	2170		



POS.	STANDARD EQUIPMENT		
1	float pneumatic system		
2	kit pneumatic system		
3	level gauge		
4	gate for clear removal 1" with valve 1" Ghidi inox		
5	gate for complete wasting-pipe with valve 1" Ghidi inox		
SPECIAL FITTINGS			
	round door Ø 300 mm. see table		float level arm cod. 7093
	wine taster cod. 7090		H legs mm.500 H legs mm.600 adjustable feet see special fittings pages
	protection sheet level gauge per meter cod. 7092		every kind of valves see special fitting pages

TANK MOD. FCGS FOR WINE AND OLIVE-OIL STORAGE S. STEEL AISI 304

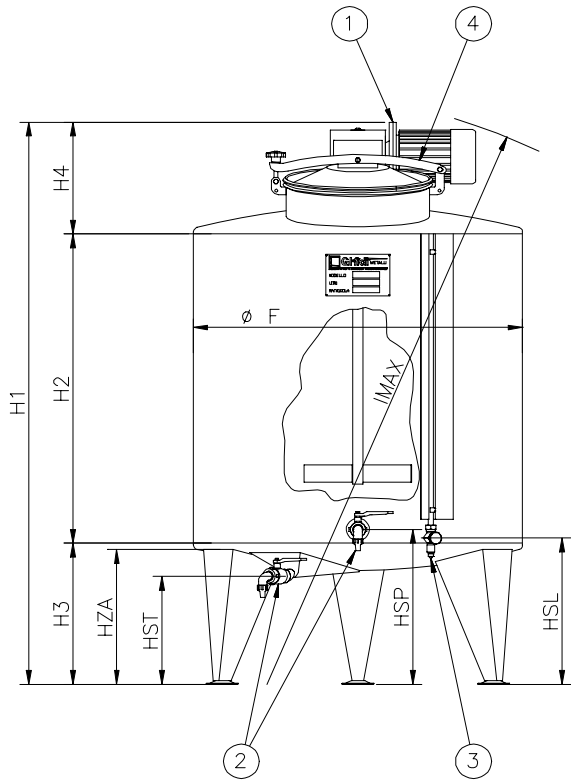
CODE WITHOUT DOOR	CODE WITH DOOR	L.	ØF	H1	H2	H3	H4	HSP	HST	LEGS	HZA	IMAX		
60300	*****	300	620	1670	1000	410	260	455	315	3	390	1670		
60400	60407	400	720	1675	1000	410	265	455	315	3	390	1675		
60500	60507	500	720	1925	1250	410	265	455	315	3	390	1925		
60600	60607	600	720	2175	1500	410	265	455	315	3	390	2170		
60800	60807	800	920	1930	1250	410	270	455	315	3	390	1990		
61000	61007	1000	920	2180	1500	410	270	455	315	3	390	2235		
61500	61507	1500	1160	2210	1500	405	305	435	215	3	400	2235		
62000	62007	2000	1310	2215	1500	410	305	440	220	3	400	2245		



POS.	STANDARD EQUIPMENT		
1	cover with bolt Ø 400 mm.		
2	level gauge		
3	gate for clear removal 1" with valve 1" Ghidi inox		
4	gate for complete wasting-pipe with valve 1" Ghidi inox		
SPECIAL FITTINGS			
	round door Ø 300 mm. see table		cover with 4 holdfast and level gauge with re-entry for nitrogen cod. AC0021
	wine taster cod. 7090		H legs mm.500 H legs mm.600 adjustable feet see special fittings pages
	protection sheet level gauge per meter cod. 7092		every kind of valves see special fitting pages

MIXER WITH SPEED-REDUCER STAINLESS STEEL AISI 304

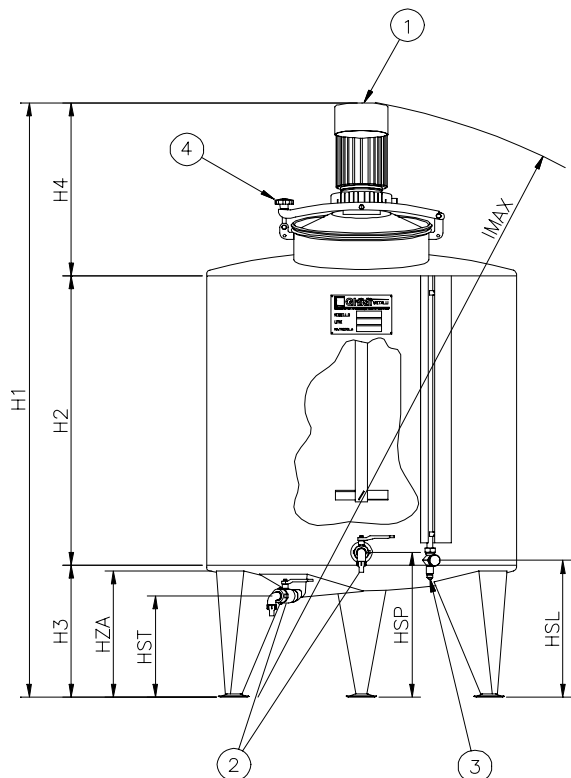
CODE	L.	ØF	H1	H2	H3	H4	HSL	HSP	HST	LEGS	HZA	IMAX
MR600A	600	920	1635	900	410	325	425	450	315	3	390	1710
MR1000A	1000	1160	1730	950	405	375	425	445	245	3	400	1775



POS.	STANDARD EQUIPMENT
1	engine with speed reducer hp 0,75, V 380, riv. 33 per minute
2	gates 1" for valve 1" Ghidi
3	level gauge with protection sheet
4	cover partly welded partly liftable
SPECIAL FITTINGS	
V 220 power code AZ0061 price € 166,00	
glass level rod code AZ0062 price € 40,00 per meter	

MIXER WITH SPEED-VARIATOR STAINLESS STEEL AISI 304

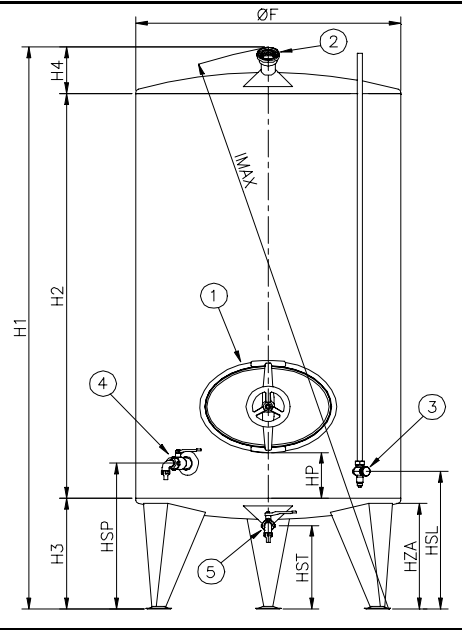
CODE	L.	ØF	H1	H2	H3	H4	HSL	HSP	HST	LEGS	HZA	IMAX
MV600A	600	920	1850	900	410	540	425	450	315	3	390	1910
MV1000A	1060	1160	1930	950	405	575	425	445	245	3	400	1970



POS.	STANDARD EQUIPMENT
1	engine with speed reducer hp 1, V 380, riv. 190/1000 per minute
2	gates 1" for valve 1" Ghidi
3	level gauge with protection sheet
4	cover partly welded partly liftable
SPECIAL FITTINGS	
V 220 power not available	
glass level rod code AZ0062	

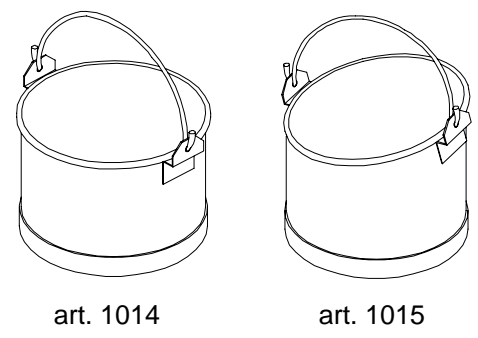
TANK MOD. DANUBIO FOR STORAGE STAINLESS STEEL AISI 304

CODE	L.	ØF	H1	H2	H3	H4	HSL	HSP	HST	HZA	HP	IMAX
60801	800	920	1835	1250	410	175	510	540	315	390	170	1840
61001	1000	920	2085	1500	410	175	510	540	315	390	170	2090
61501	1500	1160	2085	1500	405	175	510	540	315	400	170	2100
62001	2000	1310	2085	1500	405	175	510	540	315	400	170	2110
62501	2500	1310	2565	1875	515	175	510	540	415	510	170	2635
63001	3000	1310	2940	2250	515	175	510	540	415	510	170	3010



POS.	STANDARD EQUIPMENT		
1	oval door 300X435		
2	thread connector female DIN 11851/405 DN50		
3	level gauge		
4	gate for clear removal 1" with valve 1" Ghidi inox		
5	gate for complete wasting-pipe with valve 1" Ghidi inox		
	SPECIAL FITTINGS		
	wine taster cod.7090		
	protection sheet level gauge per meter cod. 7092		
	every kind of valves see special fitting pages		

PAIL ACC. INOX AISI 304



CODE	L.	Ø	H
1014	14	300	200
1015	14	300	200